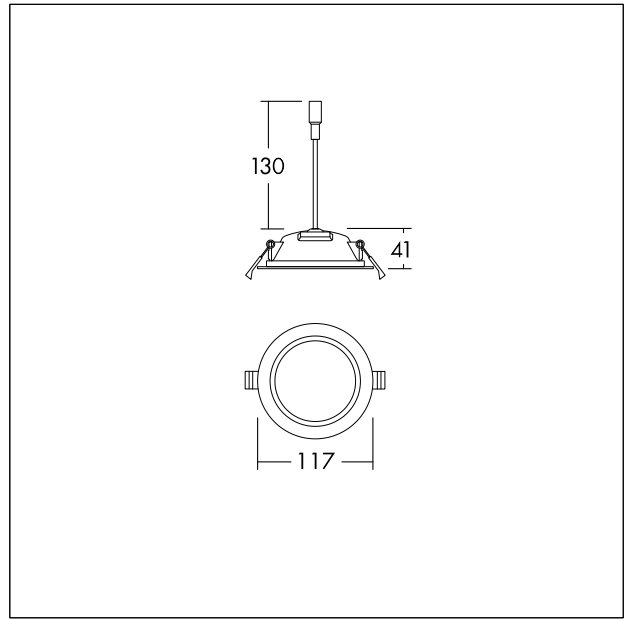


Recessed Downlight IP44

Recessed LED downlight, direct replacement for traditional 1x18W compact fluorescent downlights. Homogenously lit white opal diffuser made of TpA rated PC. High efficacy, up to 80% energy saving compared to fluorescent light sources. 100mm cut-out – identical to traditional products. AMY VARIO FLEX can be installed into a wide range of ceiling types of 2-16mm thickness, IP44 from the room side, Impact strength: IK06. Total luminous flux: 700 lm, Luminaire input power: 6 W, Luminaire efficacy: 117 lm/W correlated colour temperature (CCT) adjustable via switch for warm white (3000K), neutral white (3500K) or cold white (4000K) to suit application use. Lifetime: 50.000hrs @L80, Colour Rendering: CRI > 80. Chromaticity tolerance (initial MacAdam): 4. Photobiological Risk Group RG0, THD<20%. Body: Polycarbonate, white (RAL 9003), Diffuser: Polycarbonate, TPA. Tool-free connection enabling loop-in loop-out wiring. Plug&Play with "Just Emergency E3 KIT" for 3h emergency operation. Lumen package adjustable on site by 2 steps FLEX@4000K: (FLEX1 - 700 lm (6W), FLEX2 - 460 lm (4W)). Detailed power setting information available on www. THORNeco.com. Dimensions: Ø117 x 41 mm, weight: 0.26 kg.



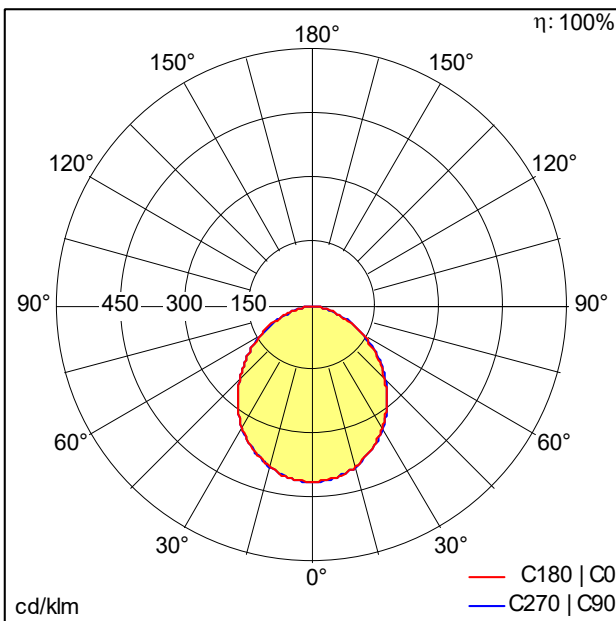
TE\_AMYVF\_F\_PERSP.jpg



TE\_AMYVF\_M\_100.wmf

Light Distribution

STD - standard



TE\_AMY\_VARIO\_FLEX\_100\_700\_840\_FLEX1.idt

- Light Source: LED
- Luminaire luminous flux\*: 700 lm
- Total emergency luminous flux: 450 lm
- Luminaire efficacy\*: 117 lm/W
- Colour Rendering Index min.: 80
- Correlated colour temperature\*: 3000-4000 Kelvin
- Chromaticity tolerance (initial MacAdam): 4
- Rated median useful life\*: L80 50000 h at 25 °C
- Ballast: 1x LED\_Con
- Luminaire input power\*: 6 W Power factor = 0.9
- Dimming: Fixed output
- Maintenance category CIE 97: D - Enclosed IP2X
- Total harmonic distortion (THD): 20.00 %

All values marked with an \* are rated values. Connected electrical load and luminous flux are subject to an initial tolerance of +/- 10%, the most similar colour temperature is subject to an initial tolerance of +/- 150K. Unless stated otherwise, the values apply to an ambient temperature of 25°C.