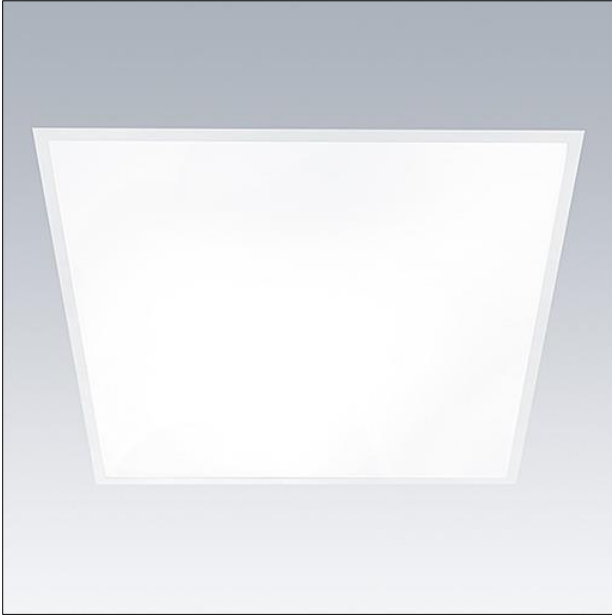
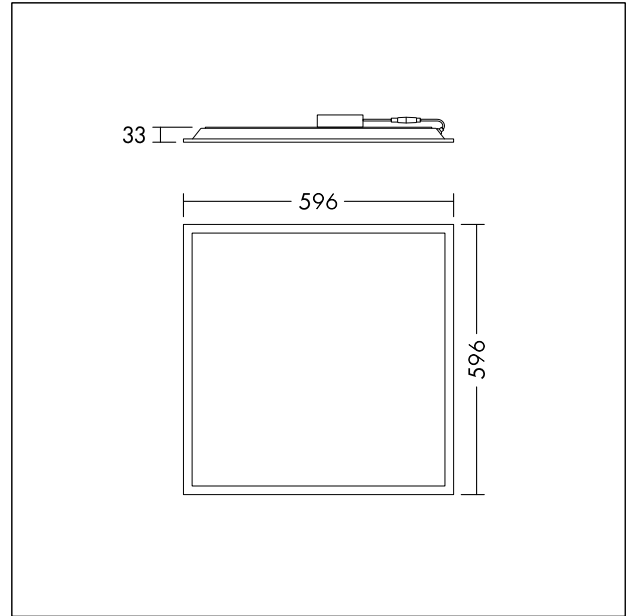


## Recessed LED panel

LED Panel with micro-prismatic light emitting surface. Comfortable and glare-free lighting with  $UGR < 19$  for direct replacement of office lighting fixtures with a form-factor 600 x 600 mm. Total luminous flux: 3500 lm. Luminaire input power: 32 W, Luminaire efficacy: 109 lm/W, CCT: 4000K, Lifetime: 50.000hrs @L70. Colour Rendering: CRI > 80, Chromaticity tolerance (initial MacAdam): 5. Body: backplate made of steel sheet, frame made of aluminum. Diffusor: PS. Prismatic layer: PS. Provided with a separate connection box for easy installation and tool-free loop-in loop-out wiring, Flicker free, Suitable for lay-in installation. Available accessories: Safety wire kit, Plug&Play Emergency kit for 3 hour emergency conversion (Self or Manualtest). Detailed information available on [www.THORNeco.com](http://www.THORNeco.com). Dimensions: 596 x 596 x 33 mm, weight: 1.72 kg



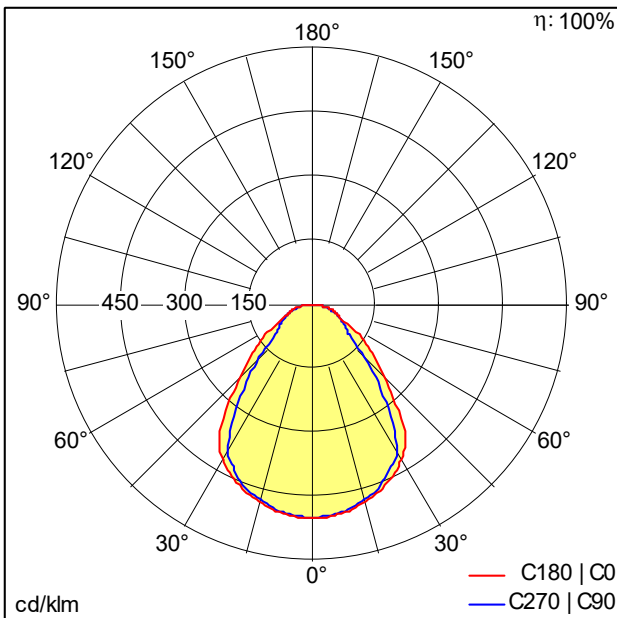
TE\_MAYA\_F\_LIT\_1.jpg



TE\_MAYA\_M\_Q596.wmf

## Light Distribution

## STD - standard



TE\_MAYA\_Q596\_3500\_840.idt

- Light Source: LED
- Luminaire luminous flux\*: 3500 lm
- Total emergency luminous flux: 430 lm
- Luminaire efficacy\*: 109 lm/W
- Colour Rendering Index min.: 80
- Correlated colour temperature\*: 4000 Kelvin
- Chromaticity tolerance (initial MacAdam): 5
- Rated median useful life\*:  
L70 50000 h at 25 °C
- Ballast: 1x LED\_Con
- Luminaire input power\*: 32 W Power factor = 0.9
- Dimming: Fixed output
- Maintenance category CIE 97: D - Enclosed IP2X
- Total harmonic distortion (THD): 20.00 %

All values marked with an \* are rated values. Connected electrical load and luminous flux are subject to an initial tolerance of +/- 10%, the most similar colour temperature is subject to an initial tolerance of +/- 150K. Unless stated otherwise, the values apply to an ambient temperature of 25°C.