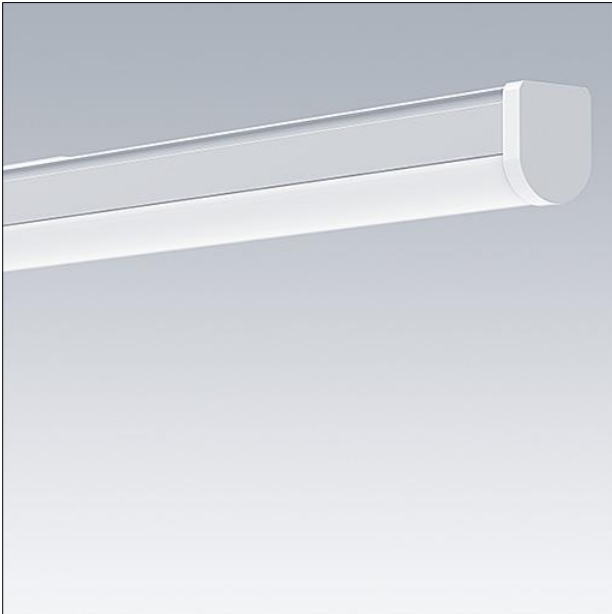
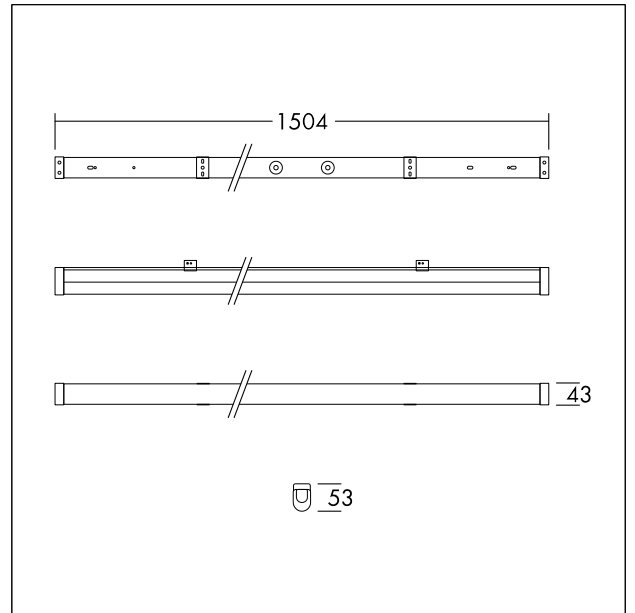


LED Batten

LED Batten with homogenous light emitting surface and Vario Flex technology, IP20 for indoor applications. Total luminous flux: 6000 lm. Luminaire input power: 45 W. Luminaire efficacy: 133 lm/W. Colour rendering Ra > 80, colour temperature 3000/3500/4000 K, adjustable via switch. Lifetime: 50.000hrs @L80. Chromaticity tolerance (initial MacAdam): 5, Impact strength: IK08. FLEX technology allows to adjust the input power on site by 3 steps (FLEX1 - 100%, FLEX2 - 75%, FLEX3 - 50%). Mounting directly onto ceiling or by using flexible mounting brackets for any fixing hole distance. Dimensions: 1504 x 43 x 53 mm, weight: 0.85 kg.



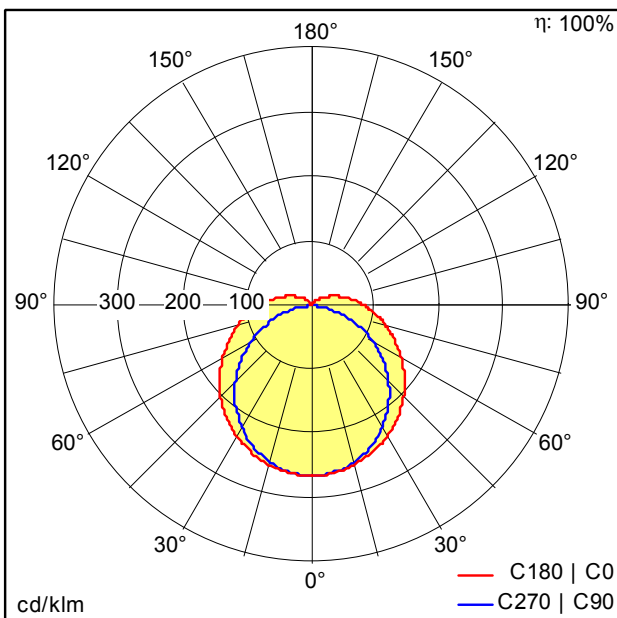
TE_EMMAVARIOFLEX_F.jpg



TE_EMMAVARIOFLEX_M_1500.wmf

Light Distribution

STD - standard



TE_EMMA_VARIOFLEX_1500_6000_840_FLEX1.idt

- Light Source: LED
- Luminaire luminous flux*: 6000 lm
- Luminaire efficacy*: 133 lm/W
- Colour Rendering Index min.: 80
- Correlated colour temperature: 3000-4000 Kelvin
- Chromaticity tolerance (initial MacAdam): 5
- Rated median useful life*: L80 50000h at 25°C
- Ballast: 1x LED_Con
- Luminaire input power*: 45 W Power factor = 0.9
- Dimming: Fixed output
- Total harmonic distortion (THD): 20.00 %

All values marked with an * are rated values. Luminous flux and connected electrical load are subject to an initial tolerance of +/- 10%. Unless stated otherwise, the values apply to an ambient temperature of 25°C.