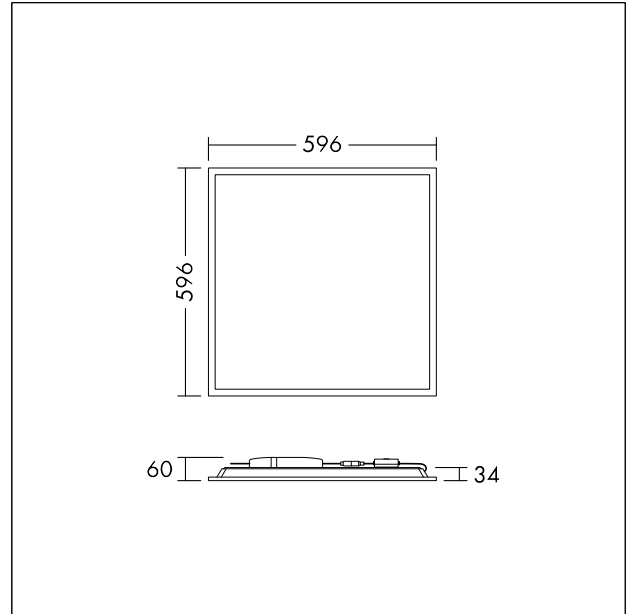


Recessed LED panel

LED Panel with homogenous light emitting surface and FLEX technology, UGR <19 for schools and offices. Total luminous flux: 4400 lm, Luminaire input power: 40 W, Lamp efficacy: 110 lm/W, Colour rendering Ra > 80, colour temperature 3000/3500/4000 K adjustable via switch. Lifetime: 50.000h L80, Chromaticity tolerance (initial MacAdam): 4. Included connector for easy and tool-free loop-in loop-out wiring, Flicker free, compatible with Plug&Play Emergency kit for 3 hour emergency conversion. Suitable for lay-in installation. Surface or recessed mounting box as well as a suspension kit available as accessory. Input power adjustable on site by 4 step (FLEX1 - 4400 lm (40W), FLEX2 - 4000 lm (35W), FLEX3 - 3750 lm (33W), FLEX4 - 3000 lm (26W)). For flex data on other colour temperatures please visit website. Dimensions: 596 x 596 x 60 mm, weight: 1.86 kg.



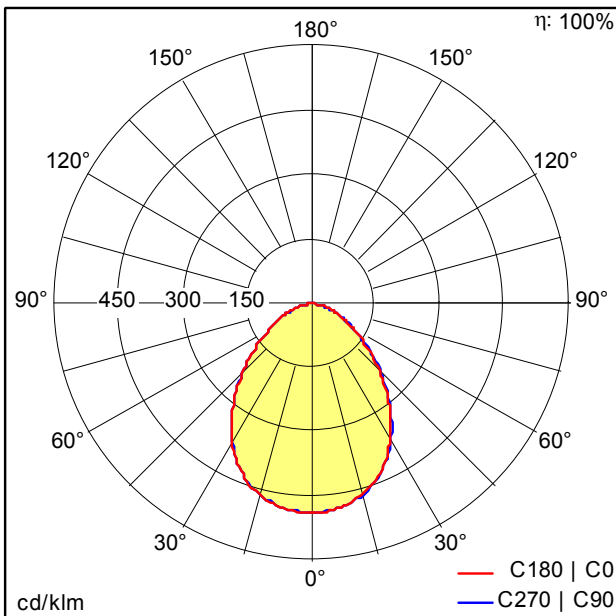
TE_ANNAVARIO_F_600_persp.jpg



TE_ANNAVARIO_M_596.wmf

Light Distribution

STD - standard



TE_ANNA_VARIOFLEX_Q596_4400_840_FLEX1.idt

- Light Source: LED
- Luminaire luminous flux*: 4404 lm
- Total emergency luminous flux: 433 lm
- Luminaire efficacy*: 110 lm/W
- Colour Rendering Index min.: 80
- Ballast: 1 x 42189788 ANNA VARIOFLEX 12X3 4400 830/35/40
- Correlated colour temperature*: 3000-4000 Kelvin
- Chromaticity tolerance (initial MacAdam): 4
- Rated median useful life*: L80 50000h at 25°C
- Luminaire input power*: 40 W Power factor = 0.95
- Dimming: Fixed output
- Maintenance category CIE 97: D - Enclosed IP2X
- Total harmonic distortion (THD): 20.00 %

This product contains a light source of energy efficiency class E.

All values marked with an * are rated values. Connected electrical load and luminous flux are subject to an initial tolerance of +/- 10%, the most similar colour temperature is subject to an initial tolerance of +/- 150K. Unless stated otherwise, the values apply to an ambient temperature of 25°C.