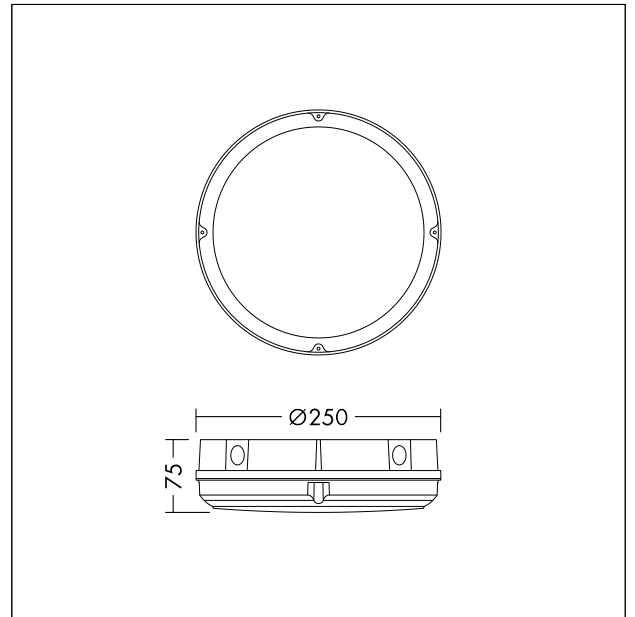


## Wall-/ceiling luminaire

Wall-/ceiling luminaire with homogenous light emitting surface, FLEX technology, IP65 for indoor and outdoor applications, Total luminous flux: 800 lm, Luminaire input power: 11.5 W, Lamp efficacy: 70 lm/W. Colour rendering Ra > 80, colour temperature 3000/3500/4000 K adjustable via switch. Lifetime: 50.000h L80, Chromaticity tolerance (initial MacAdam): 4, Impact strength: IK10, compatible with Plug&Play Emergency kit for 3 hour emergency conversion. White bezel trim included. Black bezel and eyelid trim available as accessory. Integrated microwave presence and daylight sensor including optional corridor function with standby level 10%. BESA compatible. Body: polycarbonate, white. Diffuser: polycarbonate, opal. Input power adjustable on site by 3 step (FLEX1: 800 lm (11,5W), FLEX2: 600 lm (9,5W), FLEX3: 500 lm (7,5W)). For flex data on other colour temperatures please visit website. Dimensions: Ø250 x 75 mm, weight: 1.28 kg.



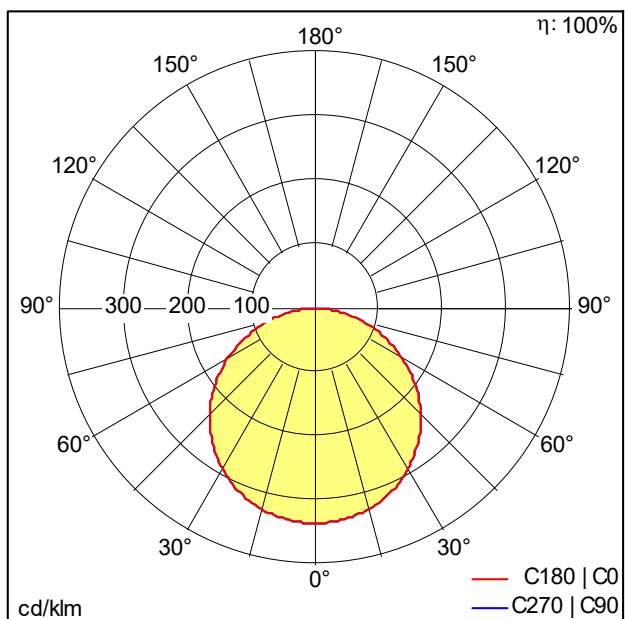
TE\_LARA\_F\_250\_RING\_WH\_persp.jpg



TE\_LARAVARIOFLEX\_M\_250.wmf

## Light Distribution

STD - standard



TE\_LARA\_VARIOFLEX\_250\_BEZEL\_840\_FLEX1.ltd

- Light Source: LED
- Luminaire luminous flux\*: 801 lm
- Total emergency luminous flux: 171 lm
- Luminaire efficacy\*: 70 lm/W
- Colour Rendering Index min.: 80
- Correlated colour temperature\*: 3000-4000 Kelvin
- Chromaticity tolerance (initial MacAdam): 4
- Rated median useful life\*:  
L80 50000 h at 25 °C
- Ballast: 1x LED\_Con
- Luminaire input power\*: 11.5 W Power factor = 0.83
- Dimming: Fixed output
- Maintenance category CIE 97: E - Dust-proof IP5X
- Total harmonic distortion (THD): 25.00 %

Please also consult the additional information on the next page

Wall-/ceiling luminaire

This product contains a light source of energy efficiency class D.