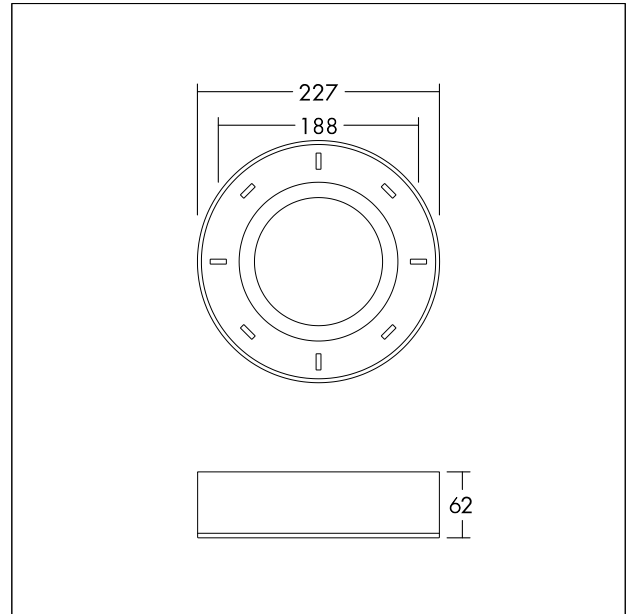


## Surface mounting kit

Surface mounting box compatible with for ZOE VARIO LED 210 and ZOE VARIOFLEX 200 luminaires. Body: steel, white finish (RAL9003). Dimensions: Ø227 x 62 mm, weight: 1 kg.



TE\_ZOE\_F\_Surface\_Mount\_Box\_persp.jpg



TE\_ZOEVARIO\_M\_SURF\_210.wmf