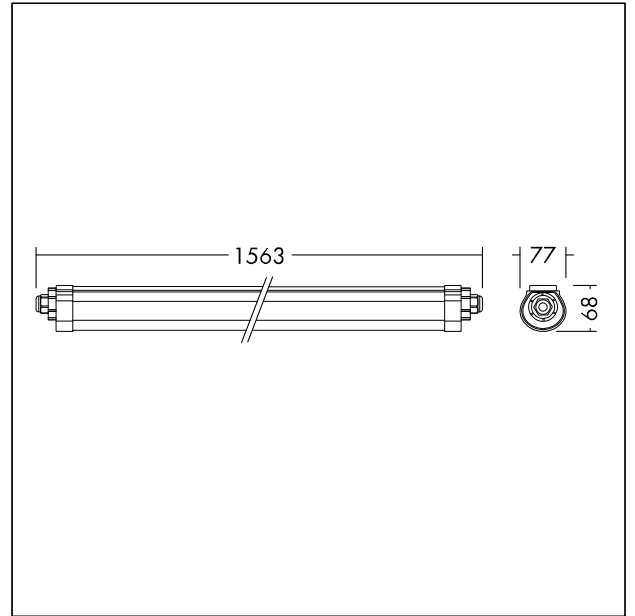


IP66 LED Moisture Proof luminaire

IP66 LED Moisture Proof luminaire with opal diffuser, for indoor and covered outdoor applications. Total luminous flux: 6000 lm, Luminaire input power: 54 W, Luminaire efficacy: 111 lm/W, Colour rendering Ra > 80, colour temperature 3000 K, Lifetime: 50.000h L80. Chromaticity tolerance (initial MacAdam): 4. 5 Years Guarantee. Impact strength: IK08. High quality opal polycarbonate (UV stabilised) diffuser ensures uniform lighting without visible spots, Through-wired: equipped with two 3-pole push-terminals (N, earth, L), tool free installation thanks to the twist & lock mechanism in the end caps. Designed for refurbishment as stainless steel mounting brackets can be positioned freely on the luminaire. Dimensions: 1563 x 77 x 68 mm, weight: 1.4 kg.



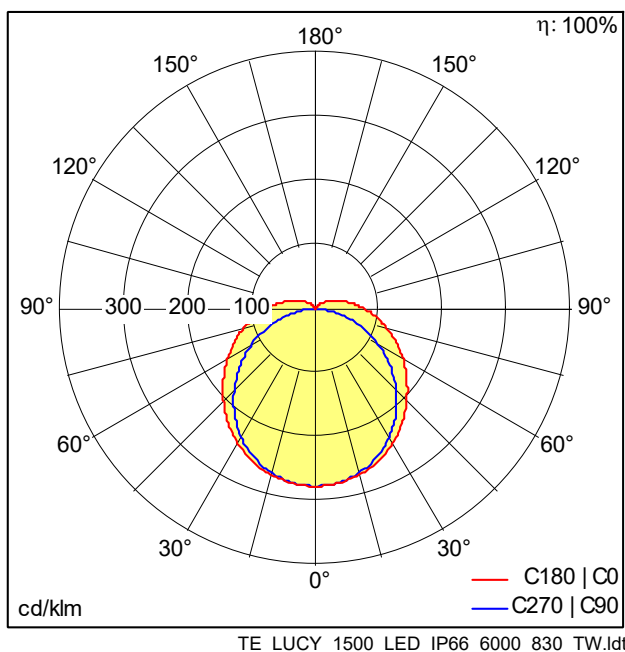
TE_LUCY_F_detail_03.jpg



TE_LUCY_M_1500.wmf

Light Distribution

STD - standard



- Light Source: LED
- Luminaire luminous flux*: 6000 lm
- Luminaire efficacy*: 111 lm/W
- Colour Rendering Index min.: 80
- Correlated colour temperature*: 3000 Kelvin
- Chromaticity tolerance (initial MacAdam): 4
- Rated median useful life*: L80 50000 h at 25 °C
- Ballast: 1x LED_Con
- Luminaire input power*: 54 W Power factor = 0.9
- Dimming: Fixed output
- Maintenance category CIE 97: E - Dust-proof IP5X
- Total harmonic distortion (THD): 15.00 %

This product contains a light source of energy efficiency class E.

All values marked with an * are rated values. Connected electrical load and luminous flux are subject to an initial tolerance of +/- 10%, the most similar colour temperature is subject to an initial tolerance of +/- 150K. Unless stated otherwise, the values apply to an ambient temperature of 25°C.