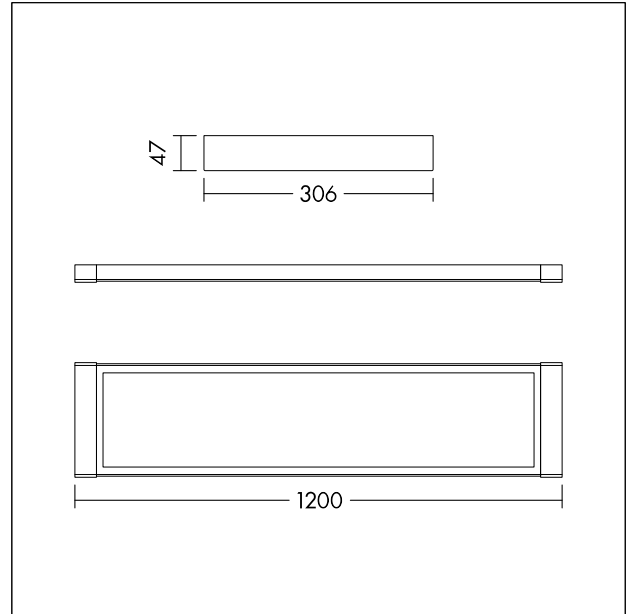


Surface mounted LED luminaire

Surface mounted LED luminaire DALI dimmable, for asymmetric light distribution (direct only). Especially designed with PMMA lens and reflector for homogenous black- and whiteboard illumination. Luminaire input power: 16 W, Lifetime: 50.000h L80, Chromaticity tolerance (initial MacAdam): 4, Total luminous flux: 2000 lm, Luminaire efficacy: 125 lm/W, Colour rendering Ra > 80, colour temperature 4000 K. Tool-free installation (piano key terminal for up to 2.5 mm² wires). Flicker free. Suitable for surface, wall and suspension mounting. Wall brackets, continuous row connector and suspension kit available as accessory. TRIDONIC premium driver (28000654) offering dimming range 1 to 100% via DALI-2, DSI and switchDIM. DC level adjustable. Mains frequency 0/50/60 Hz. Corridor FUNCTION. Suitable for emergency escape lighting systems acc. to EN 50172. Dimensions: 1200 x 306 x 47 mm, weight: 3.5 kg.



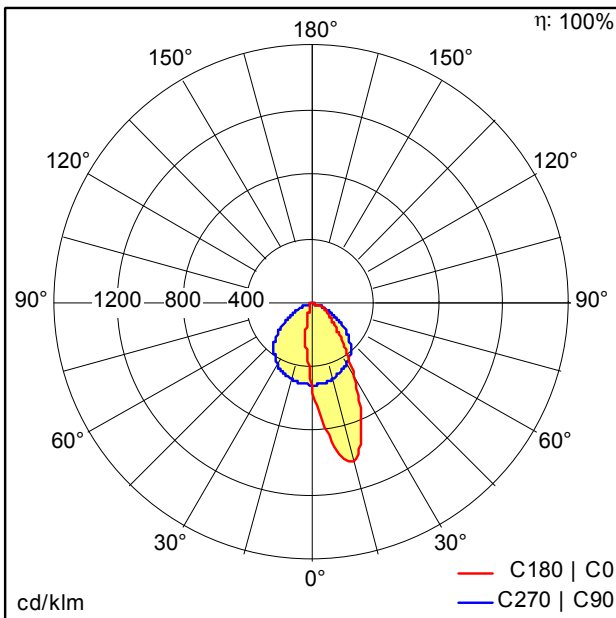
TE_ROXY_F_1200_ASYM_Persp.jpg



TE_ROXY_M_1200.wmf

Light Distribution

STD - standard



TE_ROXY_1200_ASYM_2000_840.ltd

- Light Source: LED
- Luminaire luminous flux*: 2000 lm
- Luminaire efficacy*: 125 lm/W
- Colour Rendering Index min.: 80
- Correlated colour temperature: 4000 Kelvin
- Chromaticity tolerance (initial MacAdam): 4
- Rated median useful life*: L80 50000h at 25°C
- Ballast: 1x LED_Con
- Luminaire input power*: 16 W Power factor = 0.95
- Dimming: HFIX dimmable to 1%

All values marked with an * are rated values. Luminous flux and connected electrical load are subject to an initial tolerance of +/- 10%. Unless stated otherwise, the values apply to an ambient temperature of 25°C.