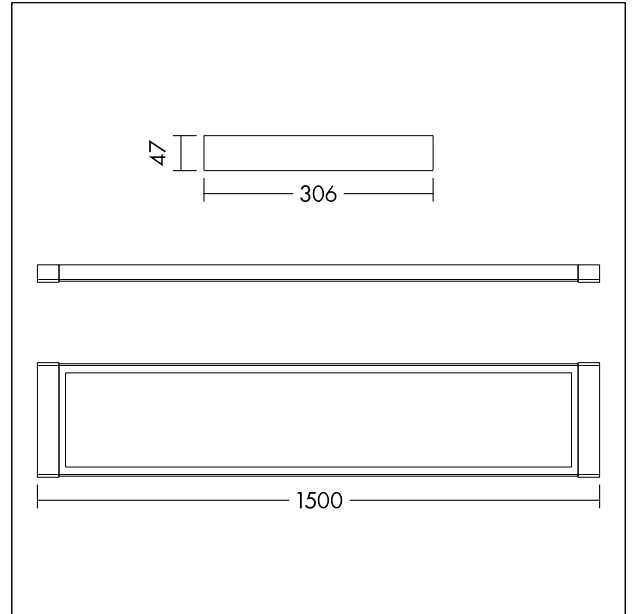


Surface mounted LED luminaire

Surface mounted LED luminaire, DALI dimmable, for direct illumination with UGR<19. Gentle, soft and glare-free lighting for office and education applications with opal diffuser made of PS for fully homogenous illumination. Luminaire input power: 43 W. Lifetime: 50.000h L80, {Binning, Total luminous flux: 5450 lm, Luminaire efficacy: 127 lm/W, Colour rendering Ra > 80, colour temperature 4000 K. Tool-free installation (piano key terminal for up to 2.5 mm² wires). Flicker free. Suitable for surface and suspension mounting. Sensor, emergency light conversion, continuous row connector and suspension kit available as accessory. TRIDONIC premium driver (28000656) offering dimming range 1 to 100% via DALI-2, DSI and switchDIM. DC level adjustable. Mains frequency 0/50/60 Hz. Including CorridorFUNCTION. Suitable for emergency escape lighting systems acc. to EN 50172. Dimensions: 1500 x 306 x 47 mm weight: 4.3 kg.



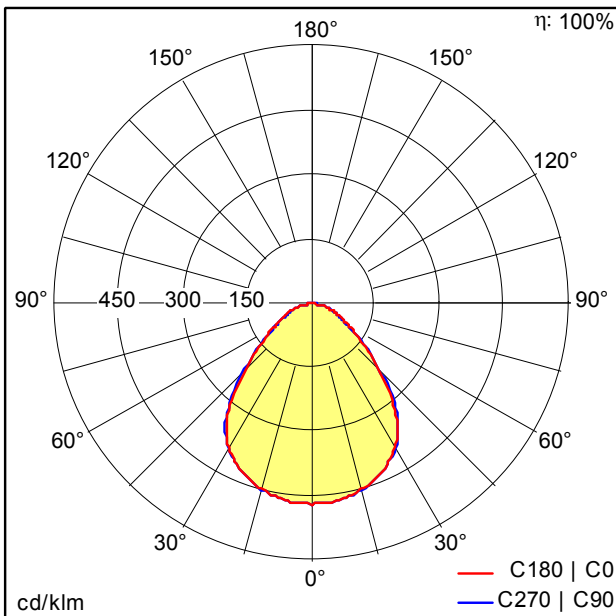
TE_ROXY_F_1500_SURF_Persp.jpg



TE_ROXY_M_1500.wmf

Light Distribution

STD - standard



TE_ROXY_1500_D_5500_840.idt

- Light Source: LED
- Luminaire luminous flux*: 5450 lm
- Luminaire efficacy*: 127 lm/W
- Colour Rendering Index min.: 80
- Correlated colour temperature: 4000 Kelvin
- Chromaticity tolerance (initial MacAdam): 4
- Rated median useful life*: L80 50000h at 25°C
- Ballast: 1x LED_Con
- Luminaire input power*: 43 W Power factor = 0.95
- Dimming: HFIX dimmable to 1%

All values marked with an * are rated values. Luminous flux and connected electrical load are subject to an initial tolerance of +/- 10%. Unless stated otherwise, the values apply to an ambient temperature of 25°C.