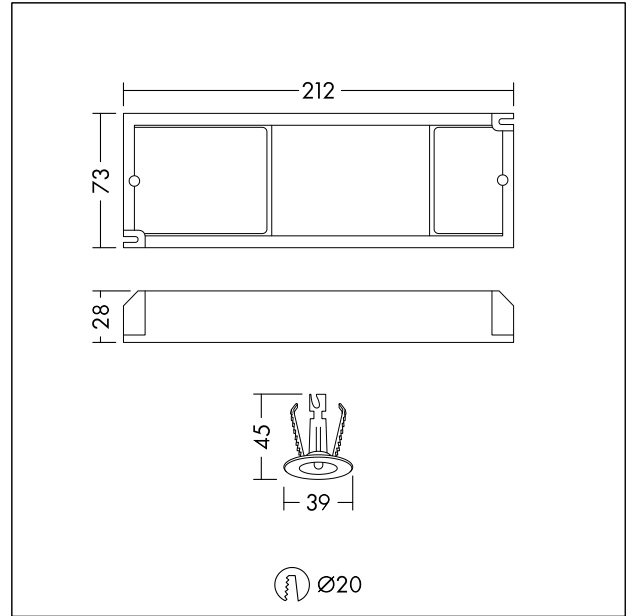


Plug&Play Emergency Kit

Emergency LED driver with SelfTest function and LiFePo4 battery for 3 hour emergency duration, including indicator LED and test switch. Enables quick and easy conversion of THORNeco luminaires for emergency operation. Compatible with Anna Vario, Amy Vario, Zoe Vario and Lily. SelfTest (EN62034) is ideal for monitoring larger buildings and multiple sites. The LiFePo4 battery incorporates trickle re-charging. This provides energy efficient charging, reduced operating temperatures and optimum service life of the battery. Rated supply voltage: 230V; Supply frequency : 50/60Hz; Supply current (Max): 50mA; Power factor : > 0.5; Output voltage: 10 to 55V; Output power: 3W; Rated emergency duration: 3 hours; Battery: LiFePo4 6,4V 2,2Ah; Initial charge period: 24 hours; Ambient temperature (ta): 0°C to +50°C; weight: 0.47 kg.



TE\_EMERGENCY\_F\_Just\_E3\_Kit\_Gen2.jpg



TE\_JUSTEMERGENCY\_M\_GEN2.wmf