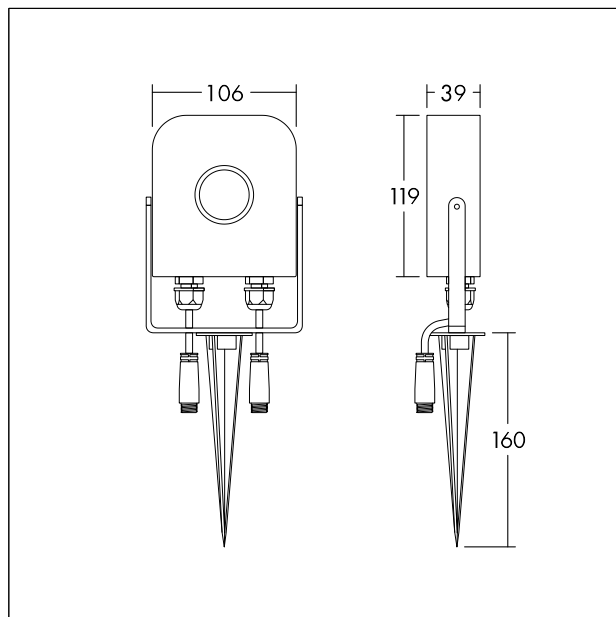


Sensor

IP65 Daylight Sensor with earth spike (aluminium die cast). Also suitable for wall-mounting. Ambient temperature -20°C up to +40°C. Compatible with THORNeco cable system. Integration to external systems by included open leads adapters. Switching load: max. 200W. Pre-wired with 20 cm cable (H07RN-F 3G1,5 mm<sup>2</sup>) and connector for fast installation. Dimensions: 295 x 106 x 39 mm, weight: 0.36 kg



TE\_EConnect\_F\_SENSOR\_complete\_persp.jpg



TE\_ACC\_M\_SENSOR.wmf