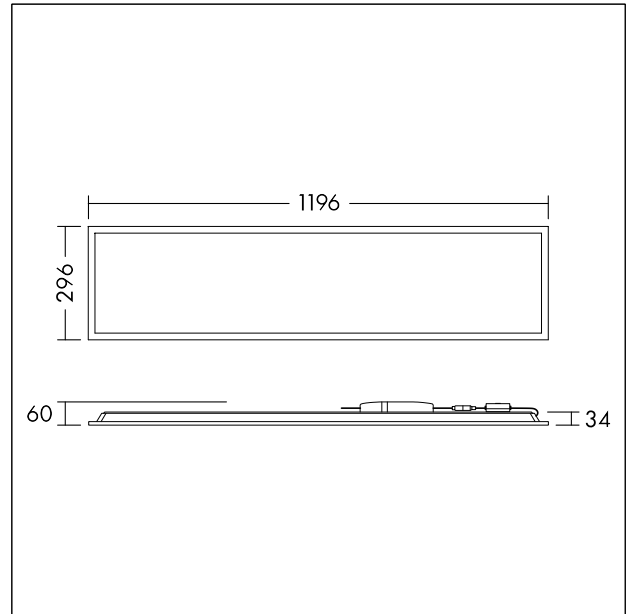


Recessed LED panel

Recessed LED panel UGR<19 with adjustable color temperature of 3000K, 3500K or 4000K by switch directly on luminaire. Gentle, soft and glare-free lighting for office applications with opal diffuser made of TpB rated PET for fully homogenous illumination and aluminium frame. Luminaire input power: 34 W Lifetime of 50.000 h before luminous flux is reduced to 80 % of the initial value. Chromaticity tolerance (initial MacAdam): 4. Total luminous flux: 4000 lm, Luminaire efficacy: 118 lm/W (4000K). Colour rendering Ra > 80, Tool-free installation (piano key terminal for up to 2.5 mm<sup>2</sup> wires). External connector box enabling loop-in loop-out wiring. Flicker free. Suitable for lay-in installation, suspension and surface mounting. Dimensions: 1200 x 300 x 60 mm weight: 2.2 kg



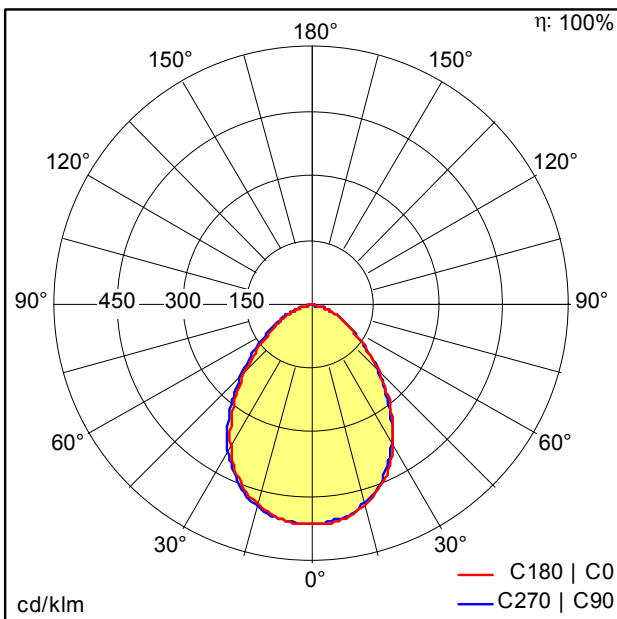
TE\_ANNA\_F\_1200x300\_persp.jpg



TE\_ANNAVARIO\_M\_1200.wmf

Light Distribution

STD - standard



TE\_ANNA\_VARIO\_1200x300\_4000\_840.idt

- Light Source: LED
- Luminaire luminous flux\*: 4000 lm
- Luminaire efficacy\*: 118 lm/W
- Colour Rendering Index min.: 80
- Correlated colour temperature: 3000-4000 Kelvin
- Chromaticity tolerance (initial MacAdam): 4
- Rated median useful life\*: L80 50000h at 25°C
- Ballast: 1x LED\_Con
- Luminaire input power\*: 34 W Power factor = 0.95
- Dimming: Fixed output

All values marked with an \* are rated values. Luminous flux and connected electrical load are subject to an initial tolerance of +/- 10%. Unless stated otherwise, the values apply to an ambient temperature of 25°C.