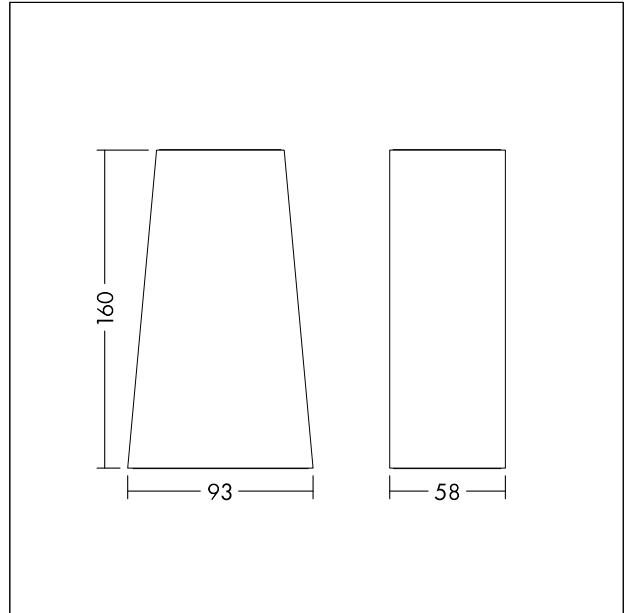


Wall mounted luminaire, Downlight

Square cone shaped IP65 Wall mounted luminaire, Downlight, for outdoor applications with black aluminium die cast housing. Colour Temperature 3000K (warm-white) with colour rendering index Ra80, LED service life: 50000 h before luminous flux is reduced to 80 % of the initial value. Luminaire input power: 5 W; 300 Lumen @ 60 lm/W; IK04; IP65; 230V. Quick connection terminal for wires up to 2.5mm² for fast installation. Dimensions: 94 x 160 x 60 mm, weight: 0.52 kg



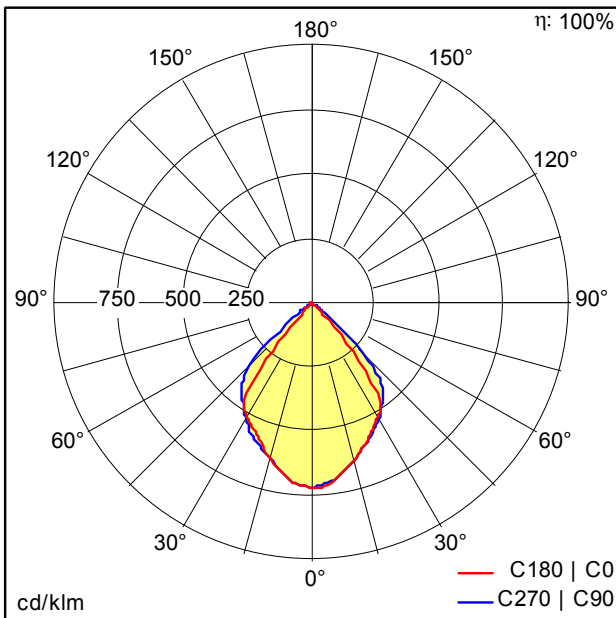
TE_HOLLY_F_SQUARE_UPDOWN_persp.jpg



TE_HOLLY_M_SQUARE.wmf

Light Distribution

STD - standard



TE_HOLLY_CONE_DOWN_IP65_300_830.idt

- Light Source: LED
- Luminaire luminous flux*: 301 lm
- Luminaire efficacy*: 60 lm/W
- Colour Rendering Index min.: 80
- Correlated colour temperature: 3000 Kelvin
- Chromaticity tolerance (initial MacAdam): 6
- Rated median useful life*: L80 50000h at 25°C
- Ballast: 1x LED_Con
- Luminaire input power*: 5 W Power factor = 0.5
- Dimming: Fixed output

All values marked with an * are rated values. Luminous flux and connected electrical load are subject to an initial tolerance of +/- 10%. Unless stated otherwise, the values apply to an ambient temperature of 25°C.