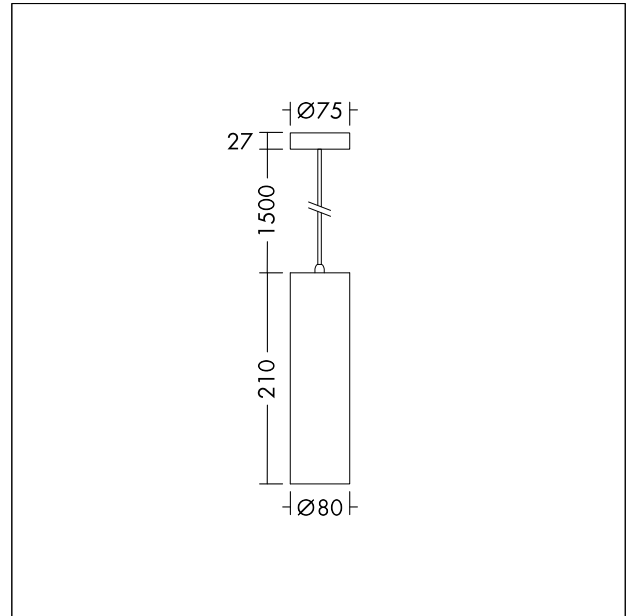


Accessory Lily spotlight

Pendant Can in white matt for LILY light engine. For pendant option with 1.5m suspension cable but also suitable for surface mounted application. Material: die-cast aluminium. Dimensions: $\text{Ø}80 \times 210$ mm, weight: 0.38 kg.



TE_LILY_F_can_pers_WH_BK.jpg



TE_LILY_M_CAN.wmf