

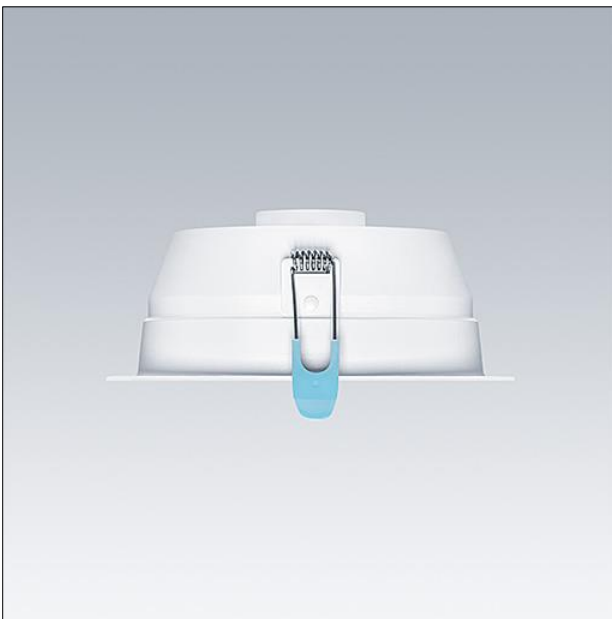
Recessed LED downlight

Recessed LED downlight one for one replacement for traditional 2x18W compact fluorescent downlights. Consistent light output with no shadowing. High efficacy, up to 80% energy saving compared with fluorescent light sources. Ceiling cutout Ø 150mm - identical to traditional products. AMY VARIO LED can be installed into a wide range of ceiling types of 2-20mm thickness. THD<25%. Switchable colour temperature: choose between warm white (3000K) and neutral white (3500K) and cold white (4000K) to suit application use. Photobiological Risk Group RG0. Plug&Play with "Just Emergency E3 KIT" for 3h emergency operation.

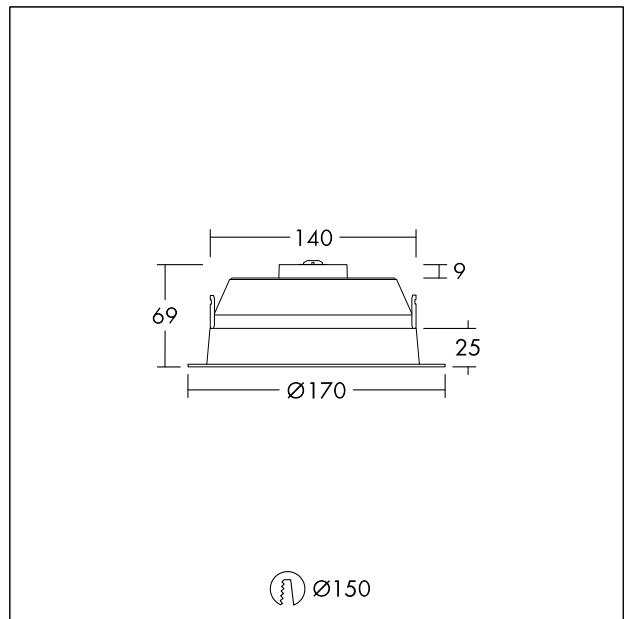
Body: steel, white finish (RAL 9003)

Diffuser: polycarbonate

Weight: 0.39 kg



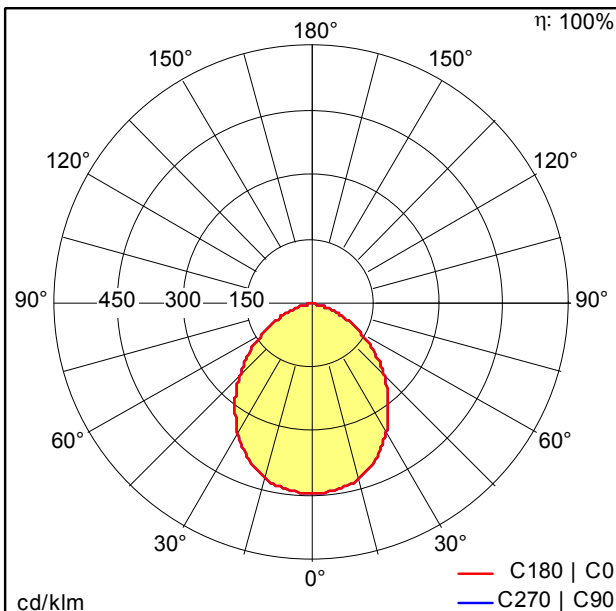
TE\_AMYVARIO\_F\_160.jpg



TE\_AMYVARIO\_M\_160.wmf

Light Distribution

STD - standard



AMY\_VARIO\_150\_LED\_DL\_1000\_840.tdt

- Light Source: LED
- Luminaire luminous flux\*: 1001 lm
- Luminaire efficacy\*: 100 lm/W
- Colour Rendering Index min.: 80
- Correlated colour temperature: 3000-4000 Kelvin
- Chromaticity tolerance (initial MacAdam): 5
- Rated median useful life\*: L80 50000h at 25°C
- Ballast: 1x LED\_Con
- Luminaire input power\*: 10 W Power factor = 0.9
- Dimming: PCDCG dimmable to 10%

Please also consult the additional information on the next page

AMY VARIO



AMY VARIO 150 LED DL 1000 830/35/40

96632754

Recessed LED downlight