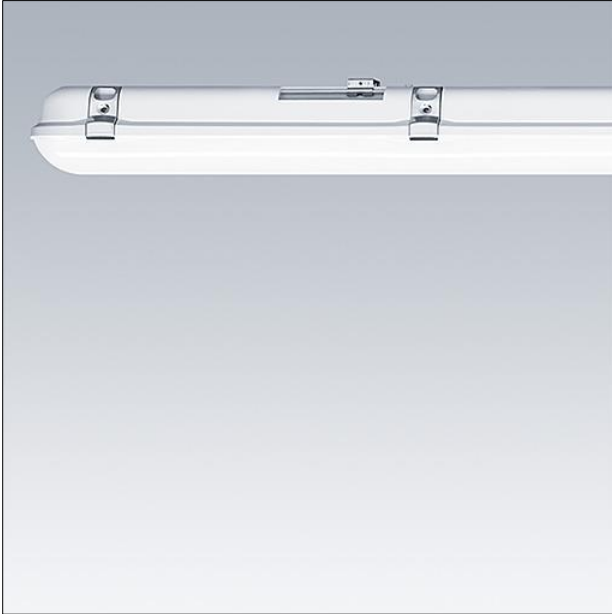


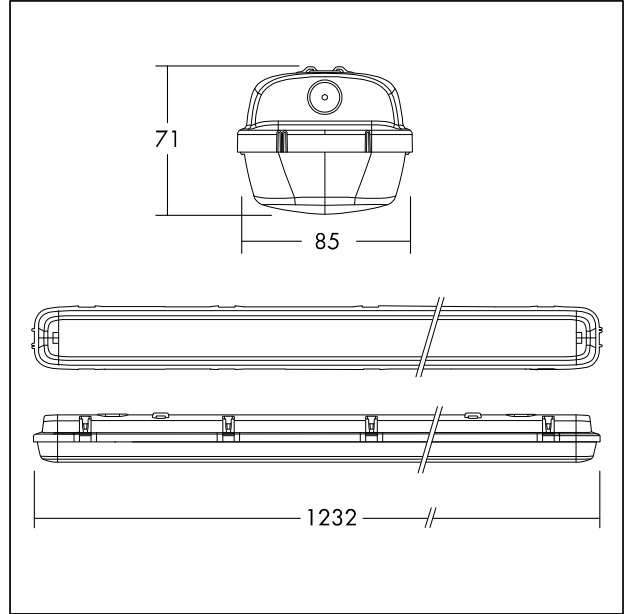
Moisture-proof diffuser luminaire

An IP65 rated LED luminaire for high quality low energy lighting in wet, dusty environments. High quality opal polycarbonate (UV stabilised) diffuser ensures uniform lighting without visible spots. High efficacy, up to 50% energy saving compared with T8 fluorescent. The traditional design gives an aesthetically pleasing appearance – ideal for point for point replacement on refurbishment projects. 3h emergency light.

- Body: polycarbonate
- Diffuser: opal polycarbonate (UV stabilised)
- Brackets: stainless steel
- Weight: 2.0 kg



TE\_JULIE\_F\_side.jpg



TE\_JULIE\_M\_IILD2\_1200\_3000lm.wmf

Light Distribution

Emergency

This product contains a light source of energy efficiency class D.

All values marked with an \* are rated values. Luminous flux and connected electrical load are subject to an initial tolerance of +/- 10%. Unless stated otherwise, the values apply to an ambient temperature of 25°C.