

LED batten

A fast install and versatile IP20 batten with press release buttons for quick opening and installation. Reliable integrated LED technology, ensuring maintenance-free installation and a long lifetime. Homogeneous illumination. Direct replacement for conventional battens in terms of light performance and length. Piano-key terminals, enabling loop-in loop-out. ENEC certified driver. 3 hour emergency lighting.

Body: sheet metal, white finish (RAL 9002).

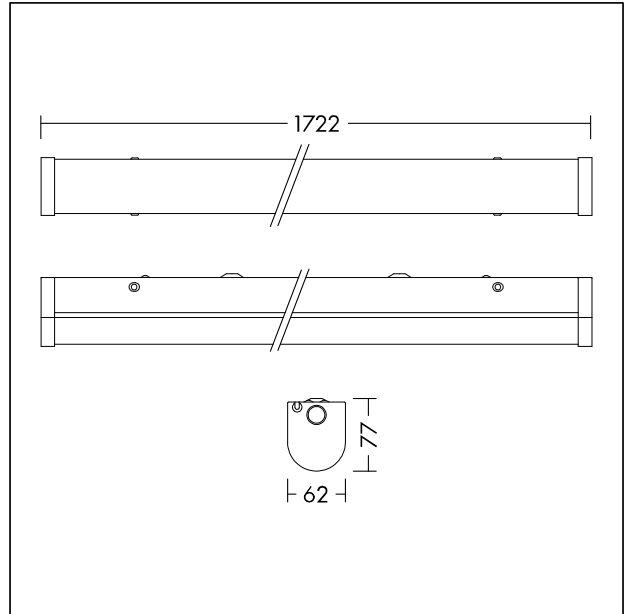
Diffuser: polycarbonate, opal.

End caps: polycarbonate, white (RAL 9002).

Weight: 5 kg



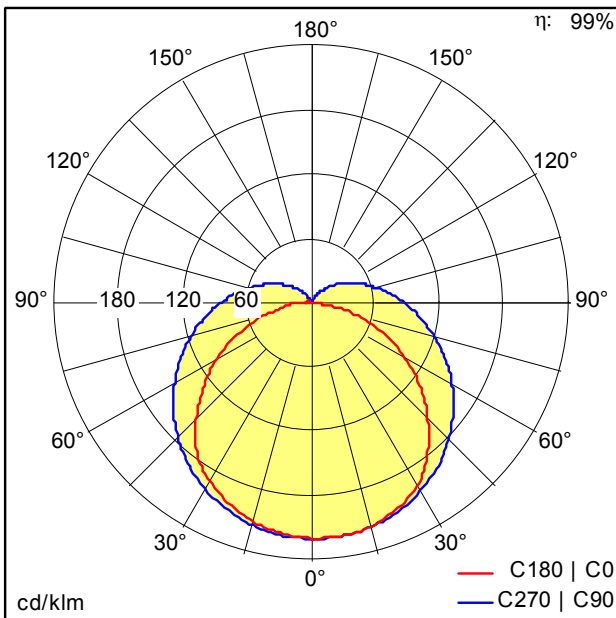
TE_POPPY_F_persp.jpg



TE_POPPY_M_1800.wmf

Light Distribution

Emergency



TE_POPPY_LED_1800_6500_840_E3e.ltd

- Light Source: LED
- Luminaire luminous flux*: 641 lm
- Luminaire efficacy*: 160 lm/W
- Colour Rendering Index min.: 80
- Chromaticity tolerance (initial MacAdam)*: 5
- Rated median useful life*: 50000h L70 at 25°C
- Ballast: 1x LED_Con
- Luminaire input power*: 4 W
- Dimming: Fixed output