

LED batten

A fast install and versatile IP20 batten with press release buttons for quick opening and installation. Reliable integrated LED technology, ensuring maintenance-free installation and a long lifetime. Homogeneous illumination. Direct replacement for conventional battens in terms of light performance and length. Piano-key terminals, enabling loop-in loop-out. ENEC certified driver. 3 hour emergency lighting.

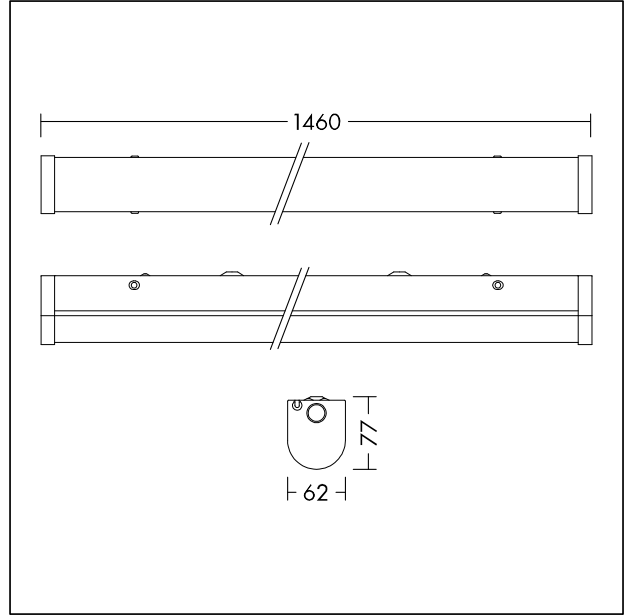
Body: sheet metal, white finish (RAL 9002).

Diffuser: polycarbonate, opal. End caps: polycarbonate, white (RAL 9002).

Weight: 4,3 kg



TE_POPPY_F_persp.jpg



TE_POPPY_M_1500.wmf

Light Distribution

Emergency

This product contains a light source of energy efficiency class E.

All values marked with an * are rated values. Connected electrical load and luminous flux are subject to an initial tolerance of +/- 10%, the most similar colour temperature is subject to an initial tolerance of +/- 150K. Unless stated otherwise, the values apply to an ambient temperature of 25°C.