

## Recessed LED panel

Recessed LED DALI dimmable panel UGR<19. Elegant and timeless design with slim metal frame of only 8.5mm depth. Opal TpA rated PC diffuser (material self-extinguishes in case of fire) with fully homogenous illumination. Even surface UGR<19: gentle, soft and glare-free lighting for office applications. TRIDONIC Premium driver offering dimming range 1 to 100% via DALI, DSI, and switchDIM. DC level is adjustable. Mains frequency 0/50/60 Hz.. CorridorFUNCTION. Tool-free installation (piano key terminal for up to 2.5 mm<sup>2</sup> wires). External connector box enabling loop-in loop-out wiring. Flicker free. Replaces conventional luminaires with 4 x 18 W T8 and offers up to 60 % energy saving. Suitable for lay-in installation, suspension and surface mounting. THD<5%.

Frame: Aluminium

Diffuser: TpA rated PET-diffuser, opal

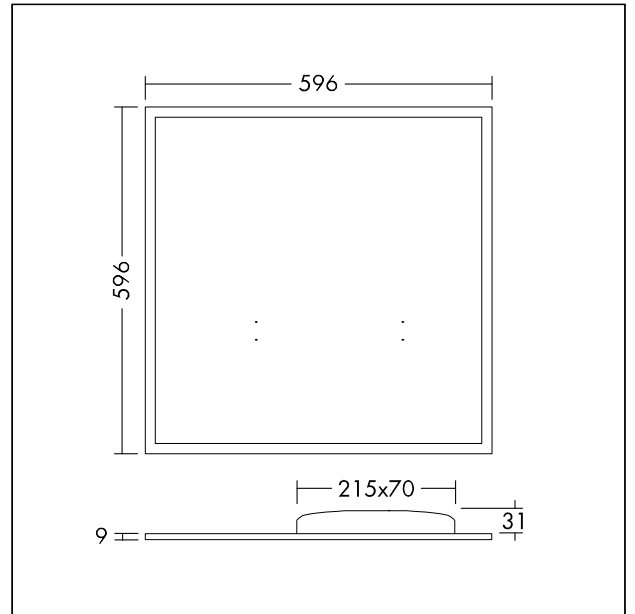
Light guide plate: PS

Backplate: metal, white (RAL 9003)

Weight: 2.92 kg



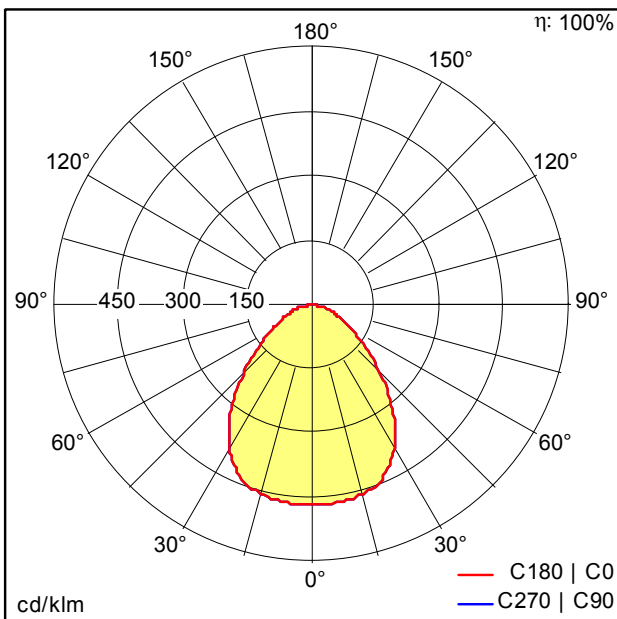
TE\_ANNA\_F\_600\_INT.jpg



TE\_ANNA\_M\_596\_HFIX.wmf

## Light Distribution

STD - standard



TE\_ANNA\_LED\_Q596\_3500\_840\_HFIX\_TpA.ldt

- Light Source: LED
- Luminaire luminous flux\*: 3503 lm
- Luminaire efficacy\*: 106 lm/W
- Colour Rendering Index min.: 80
- Correlated colour temperature\*: 4000 Kelvin
- Chromaticity tolerance (initial MacAdam)\*: 4
- Rated median useful life\*: 50000h L70 at 25°C
- Ballast: 1x HFI\* Tridonic LCA
- Luminaire input power\*: 33 W Power factor = 0.9
- Dimming: HFIX dimmable to 1%