

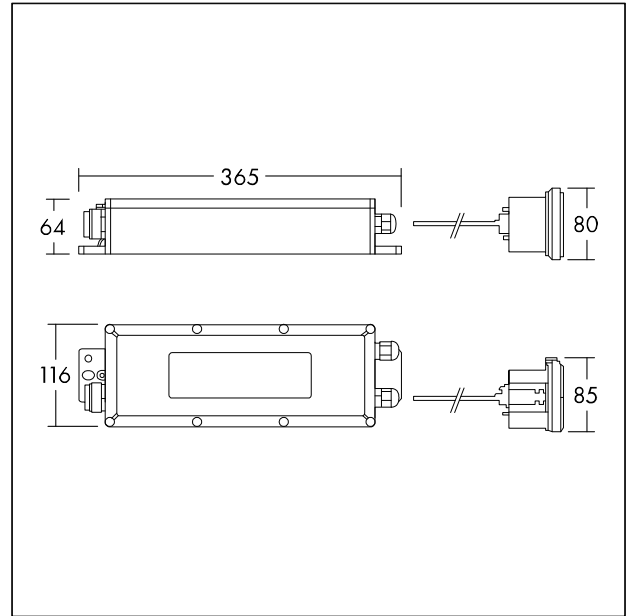
LED high-bay luminaire E3 Kit

Plug&Play E3 kit with NiCd battery for 3-hour emergency duration, including emergency light module and indicator LED. Enables quick and easy conversion of the George high bay luminaires for emergency operation. Compatible with 96630323 GEORGE LED 330 12000 840, 96630324 GEORGE LED 330 18000 840, 96630325 GEORGE LED 390 24000 840 and 96630326 GEORGE LED 390 30000 840.

Weight: 2,1 Kg



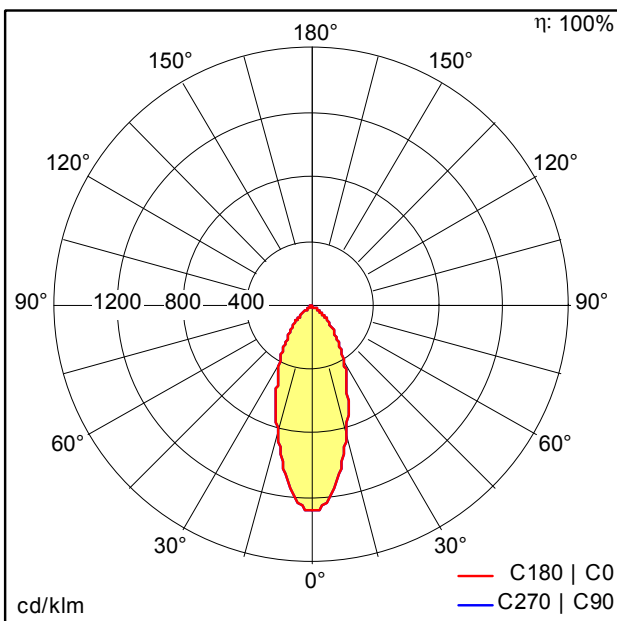
TE_GEO_F_PLUG&PLAY_E3_kit.jpg



TE_GEORGE_M_LED_E3_kit.wmf

Light Distribution

STD - standard



TE_GEORGE_PLUG_and_PLAY_E3_Kit.ltd

- Light Source: LED
- Luminaire luminous flux*: 600 lm
- Colour Rendering Index min.: 80
- Correlated colour temperature*: 4000 Kelvin
- Chromaticity tolerance (initial MacAdam)*: 5
- Rated median useful life*: 50000h L70 at 25°C
- Ballast: 1x LED_Con
- Dimming: Fixed output