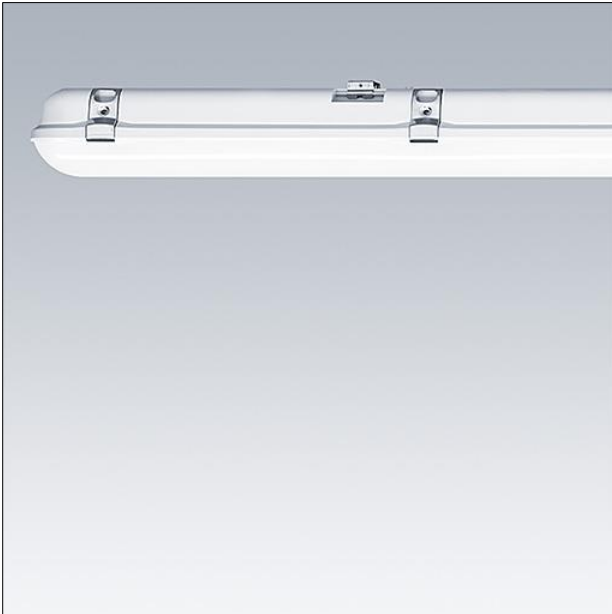


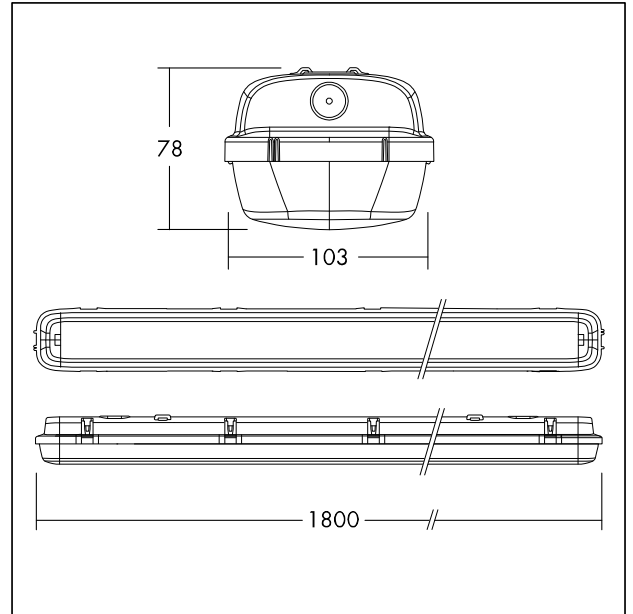
moisture-proof diffuser luminaire

An IP65 rated LED luminaire for high quality low energy lighting in wet, dusty environments. High quality opal polycarbonate (UV stabilised) diffuser ensures uniform lighting without visible spots. High efficacy, up to 60% energy saving compared with T8 fluorescent. The traditional design gives an aesthetically pleasing appearance – ideal for point for point replacement on refurbishment projects. 3h emergency light.

- Body: polycarbonate
- Diffuser: opal polycarbonate (UV stabilised)
- Brackets: stainless steel
- Weight: 2,6 kg



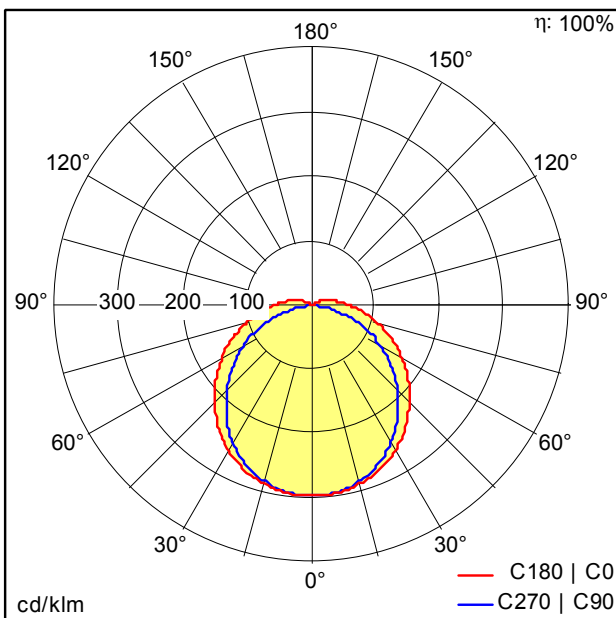
TE_JULIE_F_side.jpg



TE_JULIE_M_IID2_1800.wmf

Light Distribution

STD - standard



TE_JULIE_1800_LED_IP65_8000_840_E3.ltd

- Light Source: LED
- Luminaire luminous flux*: 8000 lm
- Luminaire efficacy*: 100 lm/W
- Colour Rendering Index min.: 80
- Correlated colour temperature*: 4000 Kelvin
- Chromaticity tolerance (initial MacAdam)*: 4
- Rated median useful life*: 50000h L70 at 25°C
- Ballast: 1x LED_Con
- Luminaire input power*: 80 W Power factor = 0.9
- Dimming: Fixed output