

Recessed LED panel

Recessed LED DALI dimmable panel UGR<19. Elegant and timeless design with slim metal frame of only 8.5mm depth. Opal diffuser with fully homogenous illumination. Even surface UGR<19: gentle, soft and glare-free lighting for office applications. TRIDONIC Premium driver offering dimming range 1 to 100% via DALI, DSI, and switchDIM. DC level is adjustable. Mains frequency 0/50/60 Hz. CorridorFUNCTION. Tool-free installation (piano key terminal for up to 2.5 mm² wires). External connector box enabling loop-in loop-out wiring. Flicker free. Replaces conventional luminaires with 4 x 18 W T8 and offers up to 60 % energy saving. Suitable for lay-in installation, suspension and surface mounting. THD<5%.

Frame: Aluminium

Diffuser: TpB rated PET-diffuser, opal

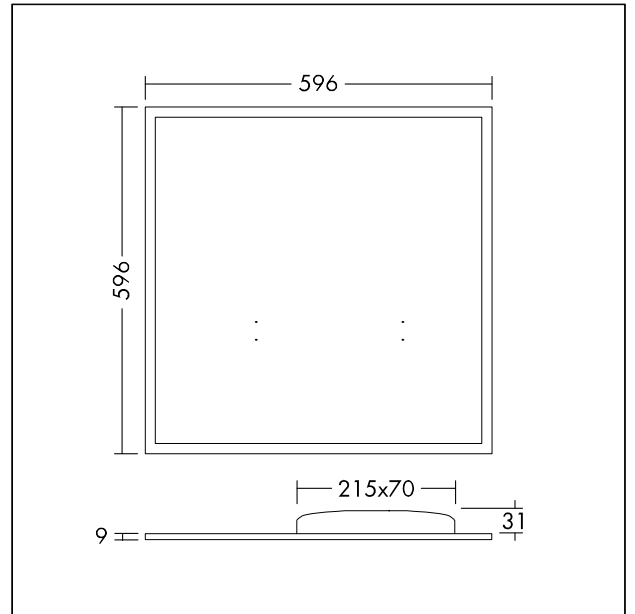
Light guide plate: PS

Backplate: metal, white (RAL 9003)

Weight: 2.71 kg



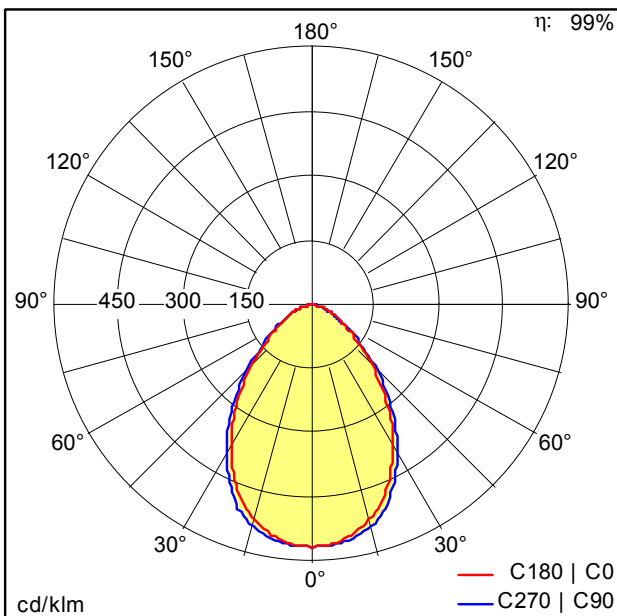
TE_ANNA_F_600_INT.jpg



TE_ANNA_M_596_HFIX.wmf

Light Distribution

STD - standard



TE_ANNA_LED_Q596_3200_830_HFIX.idt

- Light Source: LED
- Luminaire luminous flux*: 3168 lm
- Luminaire efficacy*: 96 lm/W
- Colour Rendering Index min.: 80
- Correlated colour temperature*: 3000 Kelvin
- Chromaticity tolerance (initial MacAdam)*: 4
- Rated median useful life*: 50000h L70 at 25°C
- Ballast: 1x HFI* Tridonic LCA
- Luminaire input power*: 33 W Power factor = 0.9
- Dimming: HFIX dimmable to 1%