

Damp-proof diffuser luminaire

An IP65 rated LED luminaire for high quality low energy lighting in wet, dusty environments. High quality opal polycarbonate (UV stabilised) diffuser ensures uniform lighting without visible spots. High efficacy, up to 60% energy saving compared with T8 fluorescent. The traditional design gives an aesthetically pleasing appearance – ideal for point for point replacement on refurbishment projects. Integrated presence sensor, corridor function and 3h emergency light.

Body: polycarbonate

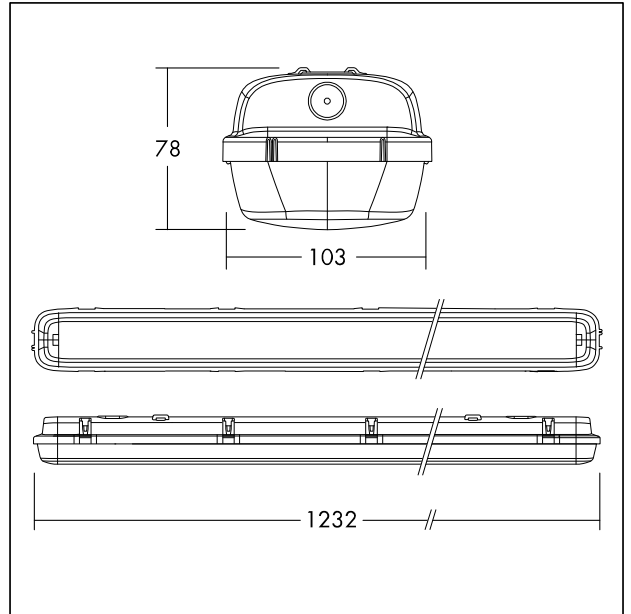
Diffuser: opal polycarbonate (UV stabilised)

Brackets: stainless steel

Weight: 2,6 kg



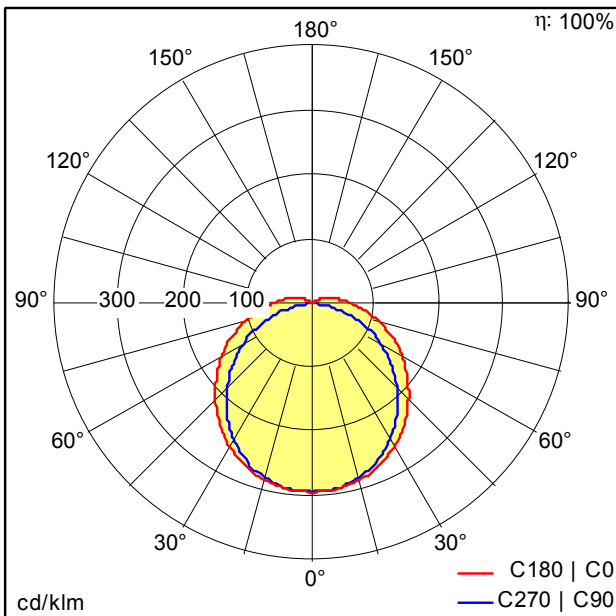
TE_JULIE_F_side.jpg



TE_JULIE_M_IILD2_1200.wmf

Light Distribution

Emergency



TE_JULIE_1200_LED_IP65_4000_840_COR_MWS_E3e.ltd

- Light Source: LED
- Luminaire luminous flux*: 497 lm
- Luminaire efficacy*: 166 lm/W
- Colour Rendering Index min.: 80
- Chromaticity tolerance (initial MacAdam): 4
- Rated median useful life*: L70 50000h at 25°C
- Ballast: 1x LED_Con
- Luminaire input power*: 3 W
- Dimming: Fixed output

All values marked with an * are rated values. Luminous flux and connected electrical load are subject to an initial tolerance of +/- 10%. Unless stated otherwise, the values apply to an ambient temperature of 25°C.