

LED ceiling-recessed luminaire

Recessed IP65 fire rated downlight, including white bezel and lens with 38° beam angle. Highly efficient and economical downlight, fully fire-rated for 30, 60 & 90 minute ceilings. Adaptable light distribution by exchanging the 38° lens with a 24°/46° beam angle lens or a 15° wall wash optic (available as accessories). Lay insulation directly over the top of the product. Tool free and fast wiring due to the fully detachable connector and the press-fit terminal block enabling loop-in loop-out. Integrated LED driver suitable for use with leading-edge dimmer switches.

Body: Aluminum heat sink & steel housing

Bezel trim: Aluminum die-cast

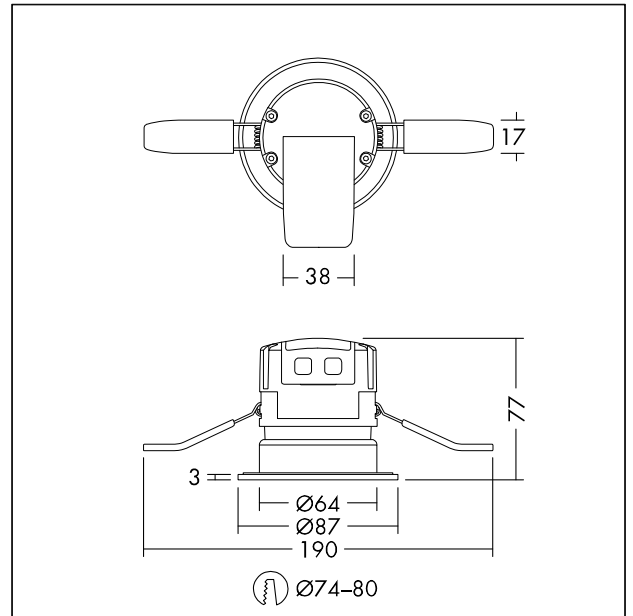
Lens: PMMA

Cover: PC

Weight: 0.3 kg



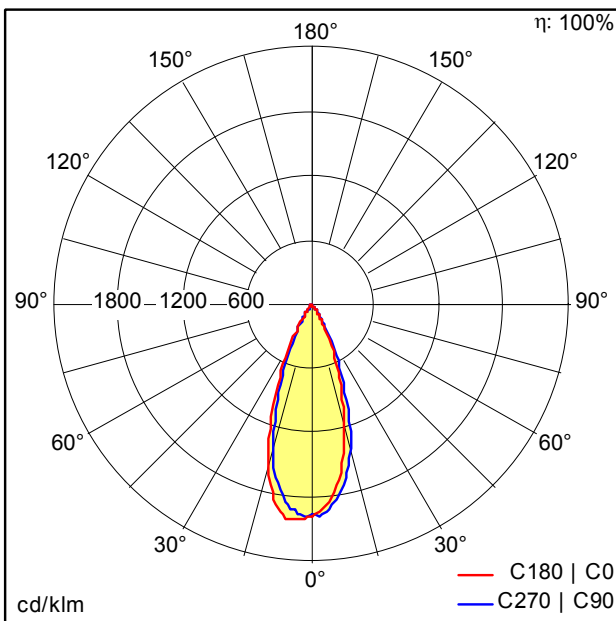
TE\_FRED\_F\_70\_persp.jpg



TE\_FRED\_M\_FRD.wmf

Light Distribution

STD - standard



TE\_FRED\_LED\_IP65\_75\_550\_840\_38\_lens.ldt

- Light Source: LED
- Luminaire luminous flux\*: 550 lm
- Luminaire efficacy\*: 79 lm/W
- Colour Rendering Index min.: 80
- Correlated colour temperature\*: 4000 Kelvin
- Chromaticity tolerance (initial MacAdam)\*: 6
- Rated median useful life\*: 50000h L70 at 25°C
- Ballast: 1x LED\_Con
- Luminaire input power\*: 7 W Power factor = 0.75
- Dimming: PCDCG dimmable to 5%