

LED high-bay luminaire

An IP65 single point suspension LED high bay luminaire. Offers a simple, direct and cost-effective one-for-one replacement of traditional HID high bay luminaires. Efficient LEDs (120 lm/W) combined with a lens technology offering UGR<25 and a beam angle of 65° to reduce waste light. The housing is carefully designed to allow air flow cooling of the luminaire to prevent the components from overheating and ensures optimum performance in industrial environments. Surge protection up to 4kV. Pre-wired with mains cable (150 mm)+connector.

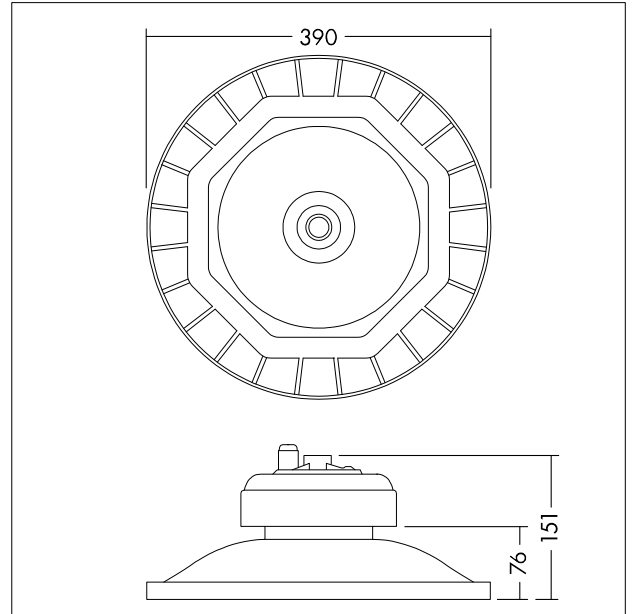
Body: Aluminum die-cast, black (RAL 9017)

Lense: PC

Weight: 6 kg



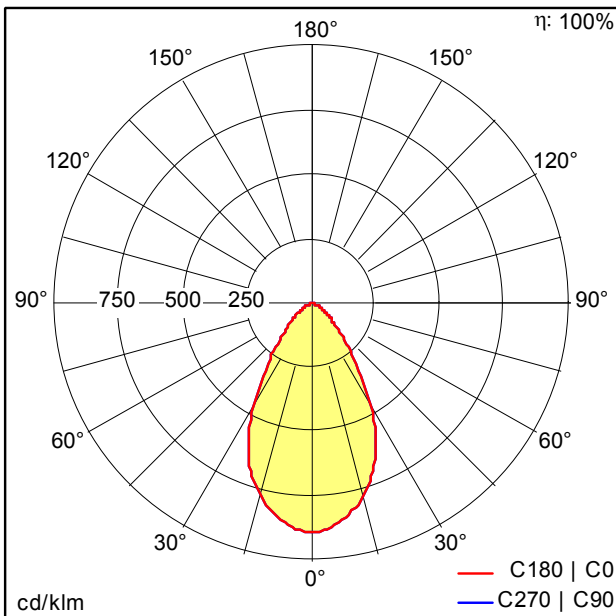
TE\_GEOR\_F\_LED\_390\_persp.jpg



TE\_GEOR\_M\_LED\_390.wmf

Light Distribution

STD - standard



TE\_GEORGE\_LED\_390\_30000\_840.ltd

- Light Source: LED
- Luminaire luminous flux\*: 30000 lm
- Luminaire efficacy\*: 120 lm/W
- Colour Rendering Index min.: 80
- Correlated colour temperature\*: 4000 Kelvin
- Chromaticity tolerance (initial MacAdam)\*: 5
- Rated median useful life\*: 50000h L70 at 25°C
- Ballast: 1x LED\_Con
- Luminaire input power\*: 250 W Power factor = 0.9
- Dimming: Fixed output