

## Surface mounted LED luminaire

Direct replacement for conventional battens in terms of light performance and length. Reliable integrated LED technology, ensuring maintenance-free installation and a long lifetime. Fully homogeneous illumination. Elegant design: narrow profile and light weight. High efficacy – exceeding building regulation requirements. Easy installation thanks to an entry hatch on the back of the luminaire, which allows access to the terminal block for wiring.

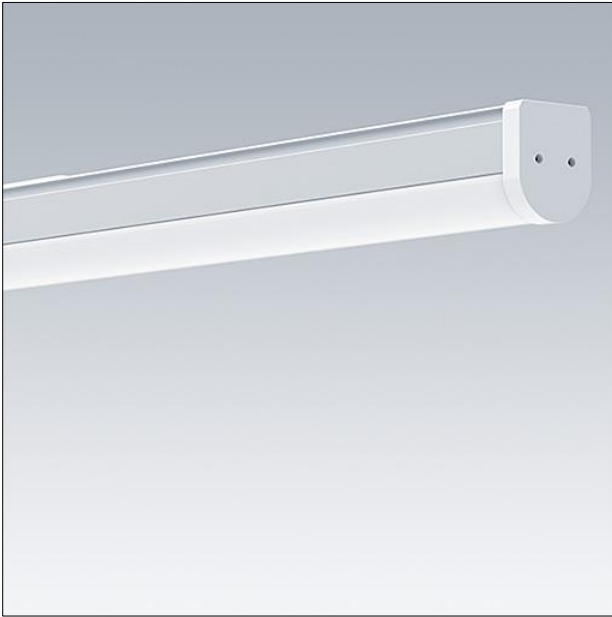
Body: Aluminium

Diffuser: PC, opal white

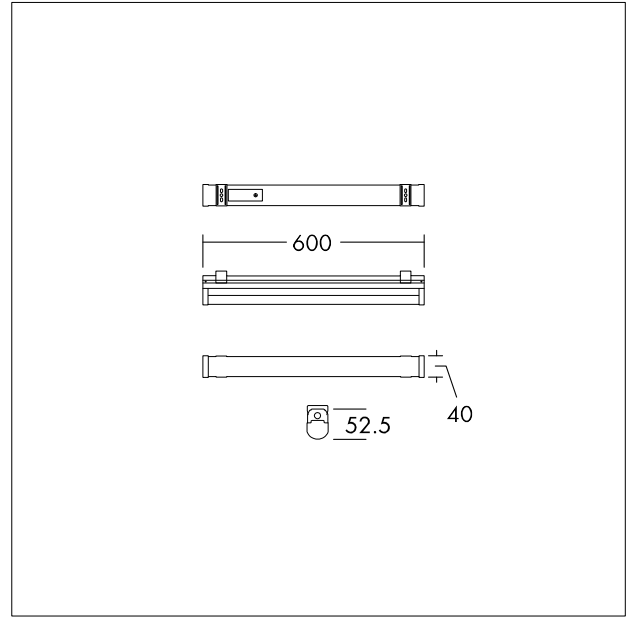
End caps: PC, white (RAL 9016)

Ceiling clips: Stainless steel

Weight: 1.36 kg



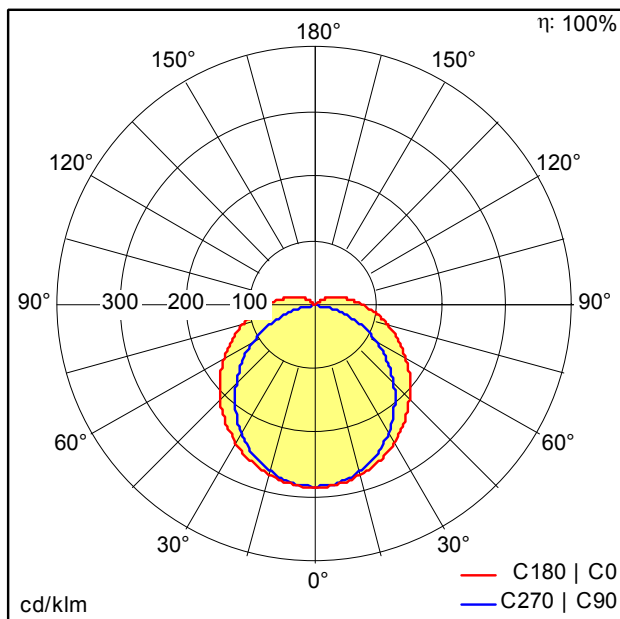
TE\_EMMA\_F.jpg



TE\_EMMA\_M\_25W.wmf

## Light Distribution

STD - standard



TE\_EMMA\_LED\_600\_2000\_830.ltd

- Light Source: LED
- Luminaire luminous flux\*: 2000 lm
- Luminaire efficacy\*: 111 lm/W
- Colour Rendering Index min.: 80
- Correlated colour temperature: 3000 Kelvin
- Chromaticity tolerance (initial MacAdam): 5
- Rated median useful life\*:  
L70 50000h at 25°C
- Ballast: 1x LED\_Con
- Luminaire input power\*: 18 W Power factor = 0.9
- Dimming: Fixed output

All values marked with an \* are rated values. Luminous flux and connected electrical load are subject to an initial tolerance of +/- 10%. Unless stated otherwise, the values apply to an ambient temperature of 25°C.