

## Recessed LED panel

Recessed LED panel UGR<19. Elegant and timeless design with slim metal frame of only 8.5mm depth. Opal diffuser with fully homogenous illumination. Even surface UGR<19: gentle, soft and glare-free lighting for office applications. Tool-free installation (piano key terminal for up to 2.5 mm<sup>2</sup> wires). External connector box enabling loop-in loop-out wiring. Flicker-free. Replaces conventional luminaires with 4 x 18 W T8 and offers up to 60 % energy saving. Suitable for lay-in installation, suspension and surface mounting. THD≤20%.

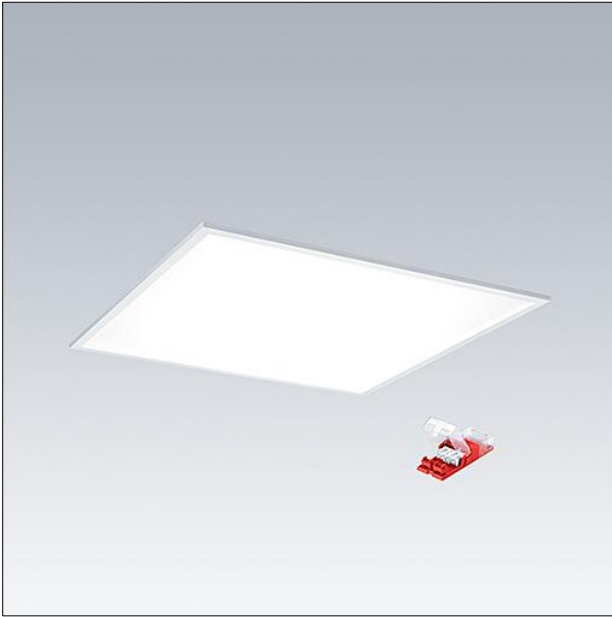
Frame: Aluminium

Diffuser: TpB rated PET-diffuser, opal

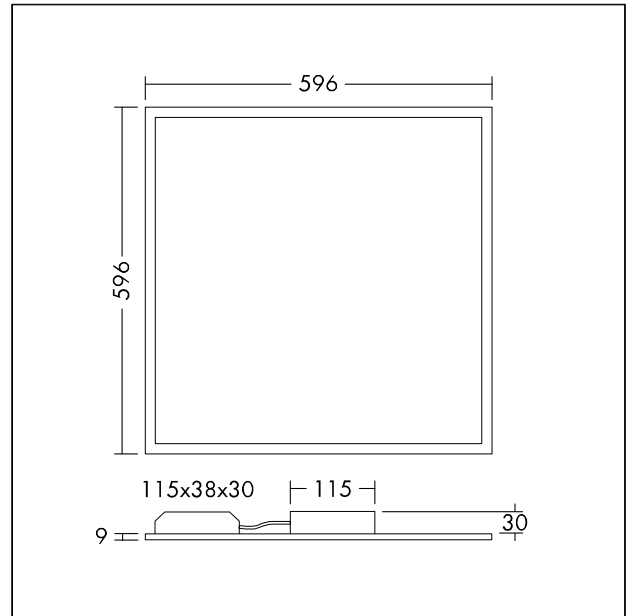
Light guide plate: PS

Backplate: metal, white (RAL 9003)

Weight: 2.58 kg



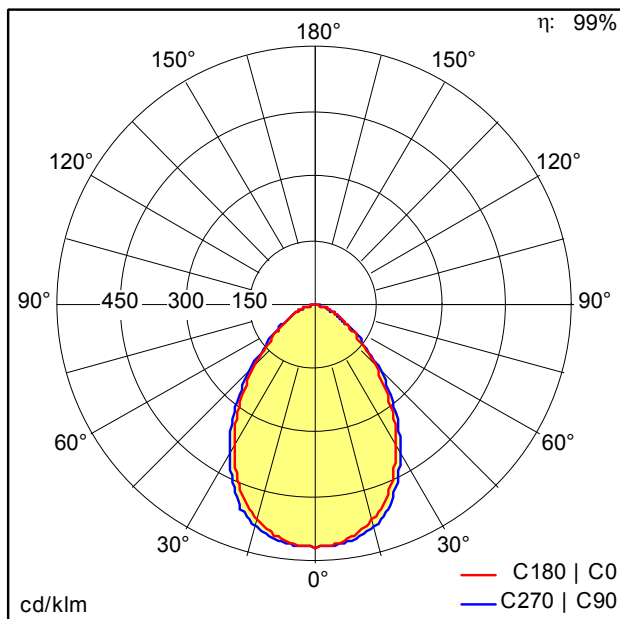
TE\_ANNA\_F\_600\_persp.jpg



TE\_ANNA\_M\_596.wmf

## Light Distribution

STD - standard



TE\_ANNA\_LED\_Q596\_3200\_830.idt

- Light Source: LED
- Luminaire luminous flux\*: 3168 lm
- Luminaire efficacy\*: 96 lm/W
- Colour Rendering Index min.: 80
- Correlated colour temperature\*: 3000 Kelvin
- Chromaticity tolerance (initial MacAdam)\*: 4
- Rated median useful life\*: 50000h L70 at 25°C
- Ballast: 1x LED\_Con
- Luminaire input power\*: 33 W Power factor = 0.9
- Dimming: Fixed output