

Wall mounted luminaire

Circular IP65 bulkhead with optional trim accessories. Direct replacement for 1x16W 2D. More than 60% energy savings compared with luminaires with CFL lamps. Frosted diffuser ensuring homogeneous light effect and visual comfort. Sealed to IP65 for protected exterior applications. Robust construction tested up to IK08 impact resistance. Integrated microwave presence sensor. 3 hour emergency lighting.

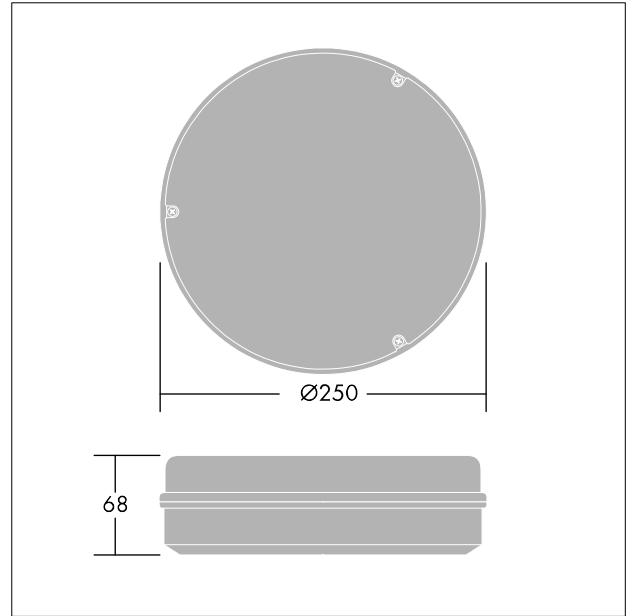
Body: Polycarbonate, white (RAL 9003)

Diffuser: Polycarbonate, opal

Weight: 0.92 kg



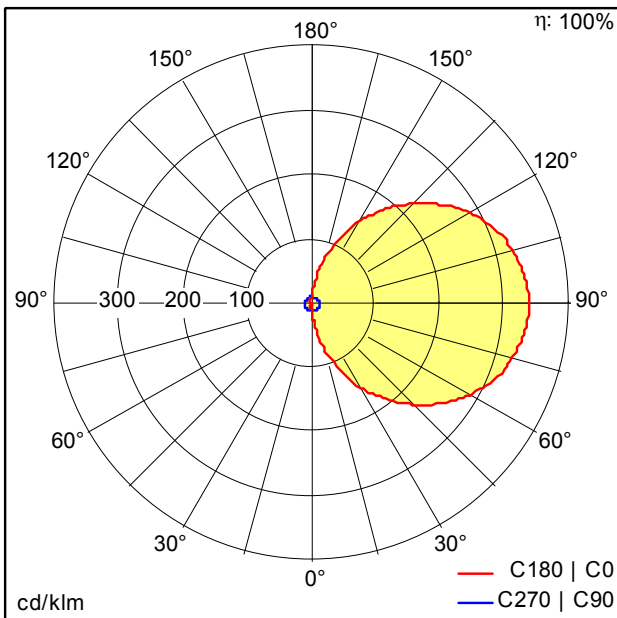
TE_LARA_F_250_BLANK_WH_persp.jpg



TE_LARA_M_800L.wmf

Light Distribution

Emergency



TE_LARA_LED_250_800_840_MWS_WH_E3e.idt

- Light Source: LED
- Luminaire luminous flux*: 169 lm
- Luminaire efficacy*: 84 lm/W
- Colour Rendering Index min.: 80
- Chromaticity tolerance (initial MacAdam)*: 4
- Rated median useful life*: 50000h L70 at 25°C
- Ballast: 1x LED_Con
- Luminaire input power*: 2 W
- Dimming: Fixed output