

Surface mounted LED luminaire

Direct replacement for conventional battens in terms of light performance and length. Reliable integrated LED technology, ensuring maintenance-free installation and a long lifetime. Fully homogeneous illumination. Elegant design: narrow profile and light weight. High efficacy – exceeding building regulation requirements. Easy installation thanks to an entry hatch on the back of the luminaire, which allows access to the terminal block for wiring.

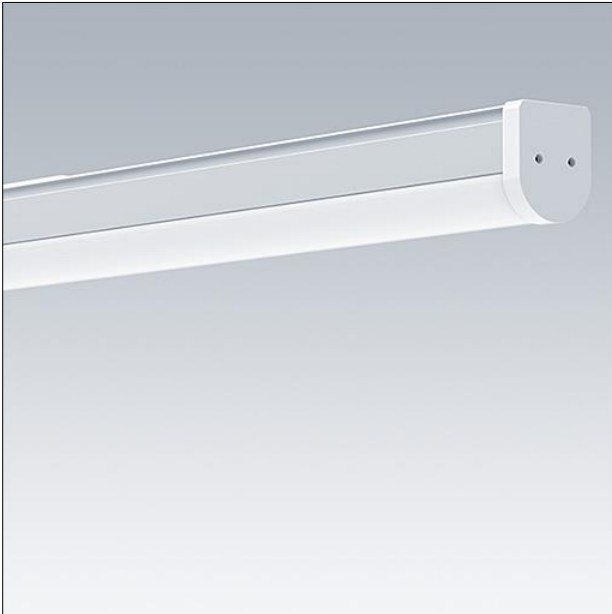
Body: Aluminium

Diffuser: PC, opal white

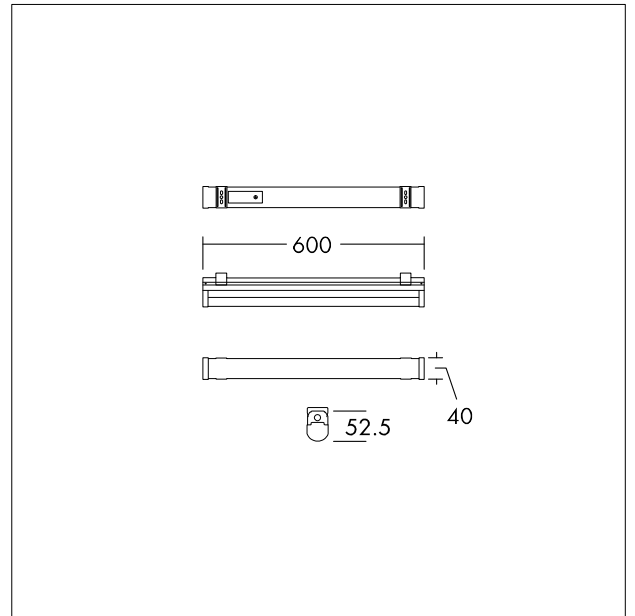
End caps: PC, white (RAL 9016)

Ceiling clips: Stainless steel

Weight: 1.36 kg



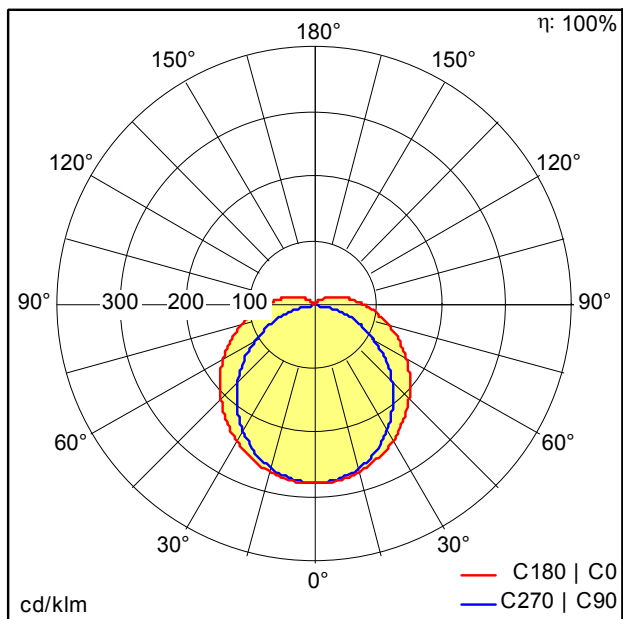
TE_EMMA_F.jpg



TE_EMMA_M_25W.wmf

Light Distribution

STD - standard



TE_EMMA_LED_600_2000_840.ltd

- Light Source: LED
- Luminaire luminous flux*: 2000 lm
- Luminaire efficacy*: 111 lm/W
- Colour Rendering Index min.: 80
- Correlated colour temperature*: 4000 Kelvin
- Chromaticity tolerance (initial MacAdam)*: 5
- Rated median useful life*: 50000h L70 at 25°C
- Ballast: 1x LED_Con
- Luminaire input power*: 18 W Power factor = 0.9
- Dimming: Fixed output