

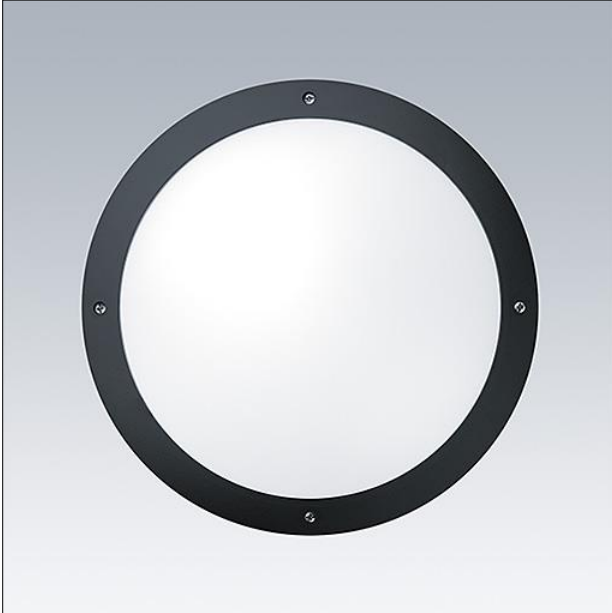
Wall Mounted Luminaire

Circular IP66 bulkhead. Direct replacement for 2x18W CFL. More than 50% energy savings compared with luminaires with CFL lamps. Frosted diffuser ensuring homogeneous light effect and visual comfort. Piano key terminal for wires up to 2.5mm².

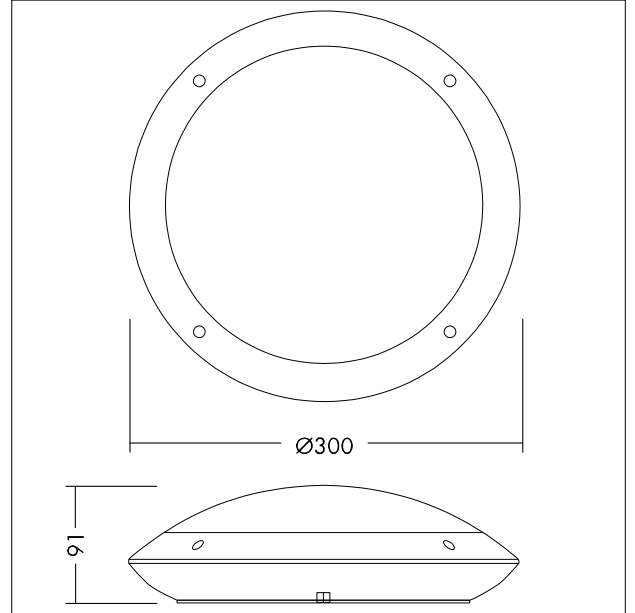
Body: ABS, black (RAL 9005)

Diffuser: Polycarbonate

Weight: 0.59 kg



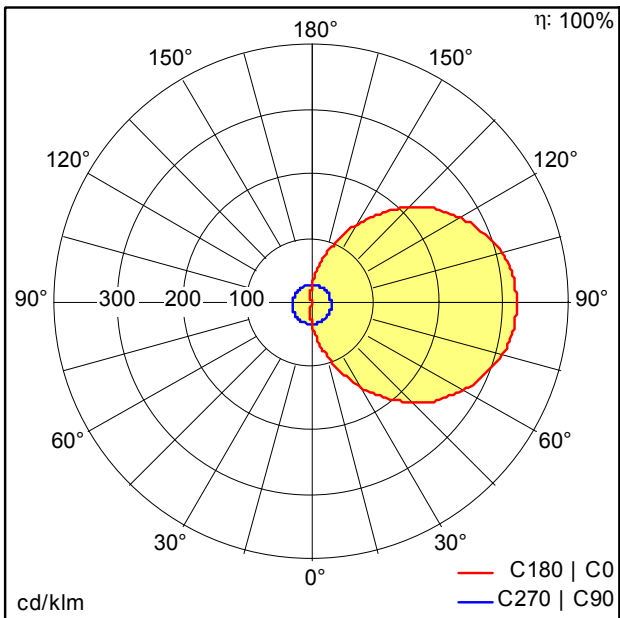
TE_TOM_F_300_BLM.jpg



TE_TOML_M_LD1.wmf

Light Distribution

Wall - mounted



TE_TOM_LED_300_1200_840_BLK_WALL.idt

- Light Source: LED
- Luminaire luminous flux*: 1200 lm
- Luminaire efficacy*: 67 lm/W
- Colour Rendering Index min.: 80
- Correlated colour temperature*: 4000 Kelvin
- Chromaticity tolerance (initial MacAdam)*: 6
- Rated median useful life*: 30000h L70 at 25°C
- Ballast: 1x LED_Con
- Luminaire input power*: 18 W Power factor = 0.9
- Dimming: Fixed output