

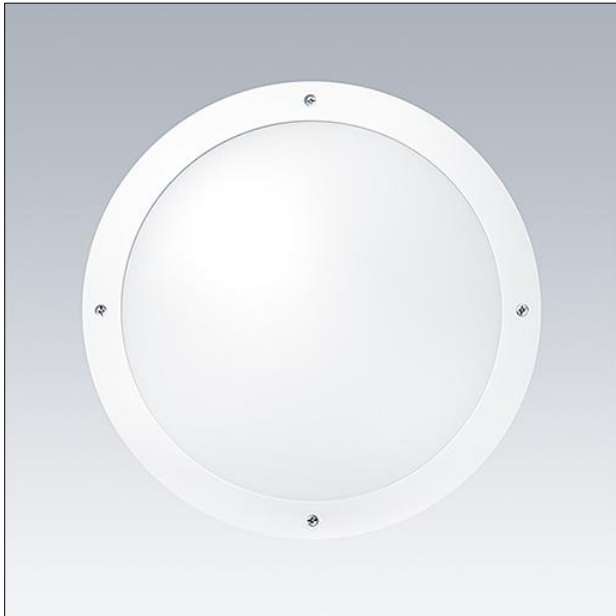
## Wall Mounted Luminaire

Circular IP66 bulkhead. Direct replacement for 2x18W CFL. More than 50% energy savings compared with luminaires with CFL lamps. Frosted diffuser ensuring homogeneous light effect and visual comfort. Piano key terminal for wires up to 2.5mm<sup>2</sup>.

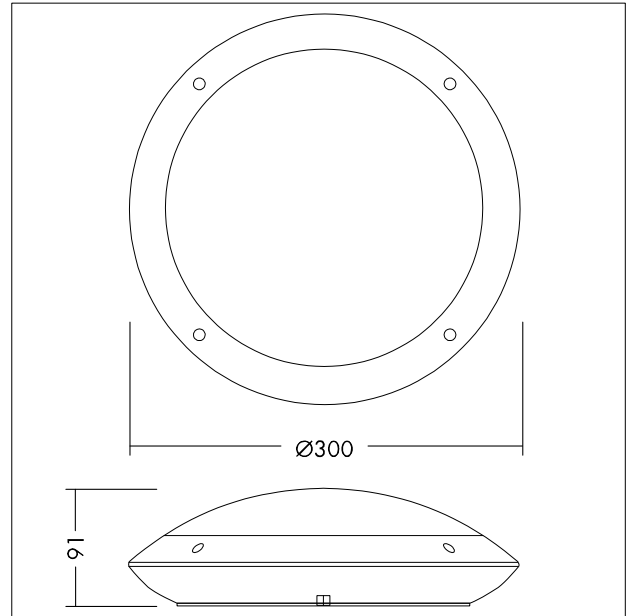
Body: ABS, white (RAL 9010)

Diffuser: Polycarbonate

Weight: 0.59 kg



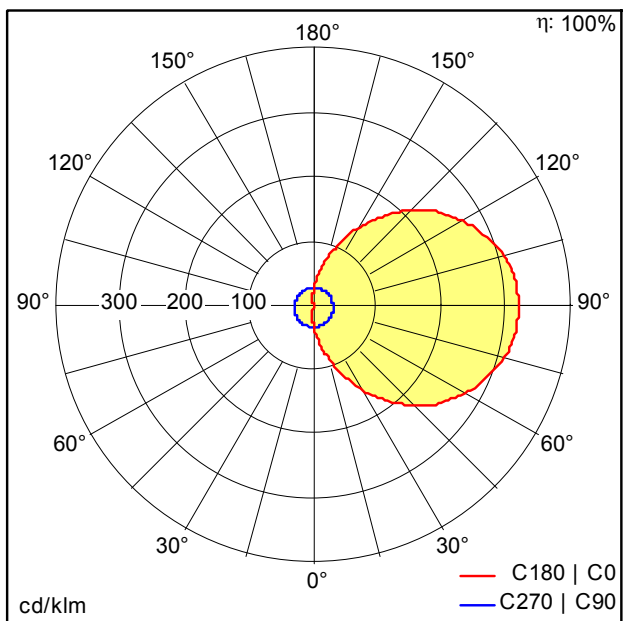
TE\_TOM\_F\_300\_WHM.jpg



TE\_TOML\_M\_LD1.wmf

## Light Distribution

## Wall - mounted



TE\_TOM\_LED\_300\_1200\_840\_WH\_WALL.idt

- Light Source: LED
- Luminaire luminous flux\*: 1200 lm
- Luminaire efficacy\*: 67 lm/W
- Colour Rendering Index min.: 80
- Correlated colour temperature\*: 4000 Kelvin
- Chromaticity tolerance (initial MacAdam)\*: 6
- Rated median useful life\*: 30000h L70 at 25°C
- Ballast: 1x LED\_Con
- Luminaire input power\*: 18 W Power factor = 0.9
- Dimming: Fixed output