

## LED ceiling-recessed luminaire

Recessed LED downlight, one for one replacement for traditional 2x26W compact fluorescent downlights. Consistent light output with no shadowing. High efficacy, up to 80% energy saving compared with fluorescent light sources. 200mm cut-out – identical to traditional products. AMY LED can be installed into a wide range of ceiling types of 2-20 mm thickness. 3h emergency light. THD<25%.

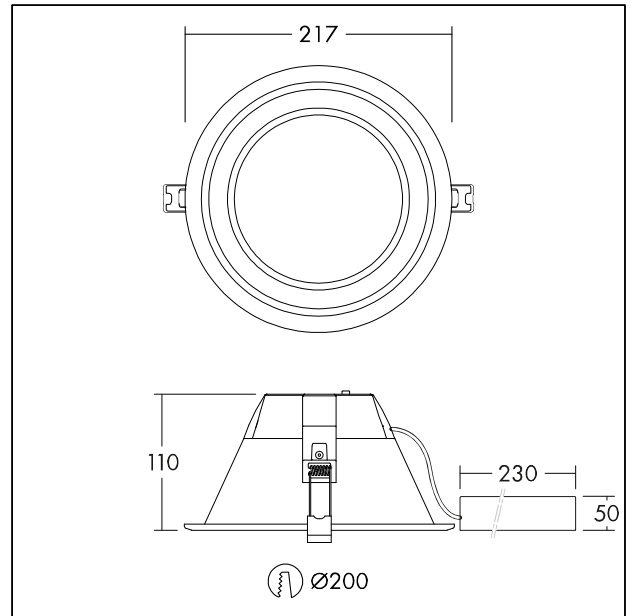
Body: Aluminium white finish (RAL 9003)

Diffuser: Polycarbonate (TPb construction)

Weight: 2.0 kg



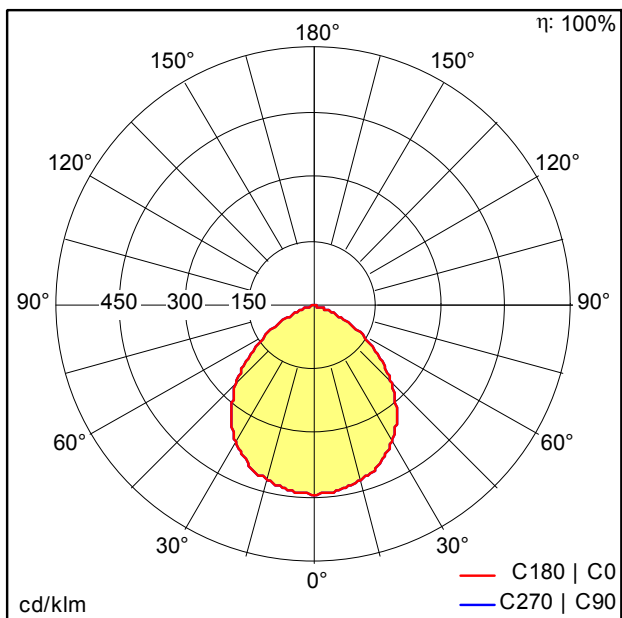
TE\_AMY\_F\_E3\_200\_side.jpg



TE\_AMY\_M\_E3\_LGE.wmf

## Light Distribution

## Emergency



TE\_AMY\_200\_LED\_DL\_2000\_830\_E3e.idt

- Light Source: LED
- Luminaire luminous flux\*: 330 lm
- Luminaire efficacy\*: 165 lm/W
- Colour Rendering Index min.: 80
- Chromaticity tolerance (initial MacAdam)\*: 4
- Rated median useful life\*: 50000h L70 at 25°C
- Ballast: 1x LED\_Con
- Luminaire input power\*: 2 W
- Dimming: Fixed output