

LED ceiling-recessed luminaire

Recessed LED downlight, one for one replacement for traditional 1x26W compact fluorescent downlights. Consistent light output with no shadowing. High efficacy, up to 80% energy saving compared with fluorescent light sources. 150mm cut-out – identical to traditional products. AMY LED can be installed into a wide range of ceiling types of 2-20mm thickness. THD < 25%.

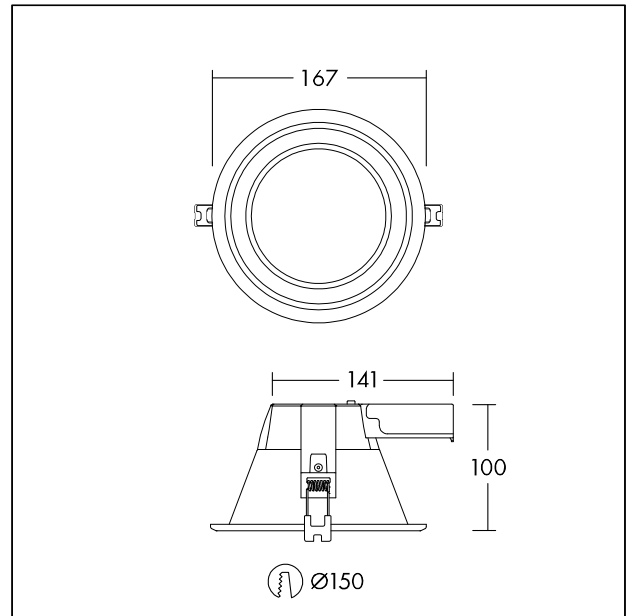
Body: Aluminium white finish (RAL 9003).

Diffuser: Polycarbonate (TPb construction)

Weight: 0.3 kg



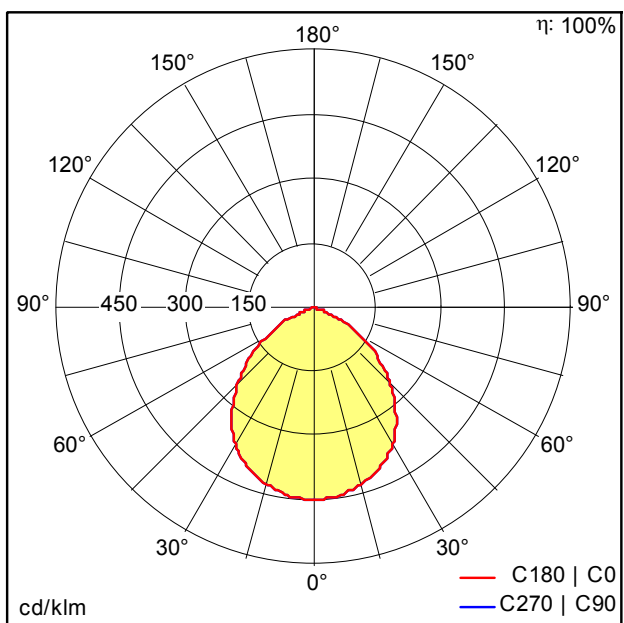
TE_AMY_F_150_side.jpg



TE_AMY_M_MED.wmf

Light Distribution

STD - standard



TE_AMY_150_LED_DL_1000_840.idt

- Light Source: LED
- Luminaire luminous flux*: 999 lm
- Luminaire efficacy*: 83 lm/W
- Colour Rendering Index min.: 80
- Correlated colour temperature*: 4000 Kelvin
- Chromaticity tolerance (initial MacAdam)*: 4
- Rated median useful life*: 50000h L70 at 25°C
- Ballast: 1x LED_Con
- Luminaire input power*: 12 W Power factor = 0.9
- Dimming: Fixed output