

## Surface mounted LED luminaire

A compact LED batten with reliability and simple design. High quality diffuser ensures uniform light without visible spots. High efficacy, 40% energy saving compare with T5 fluorescent. The fitting can be mounted individually or continuously (16 pcs of 600mm batten or 8 pcs of 1200mm batten). Supplied with starter lead, mounting kit, connector lead and end cap.

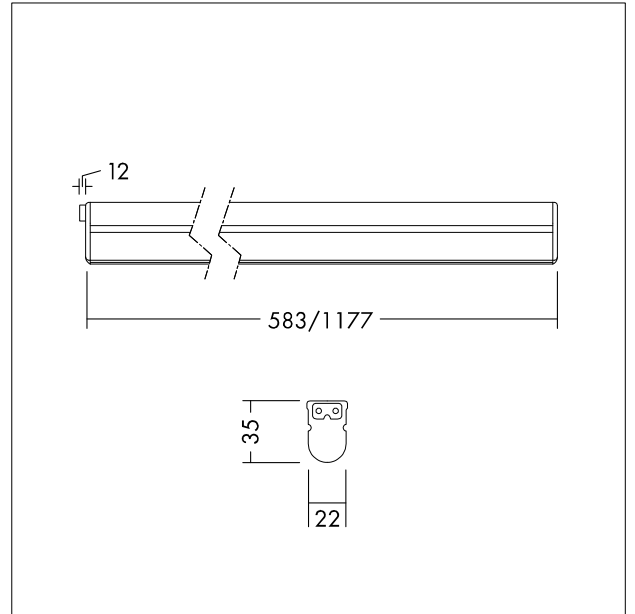
Body and diffuser: dual-color extruded polycarbonate

End-cap: polycarbonate, white

Weight: 0.32 kg



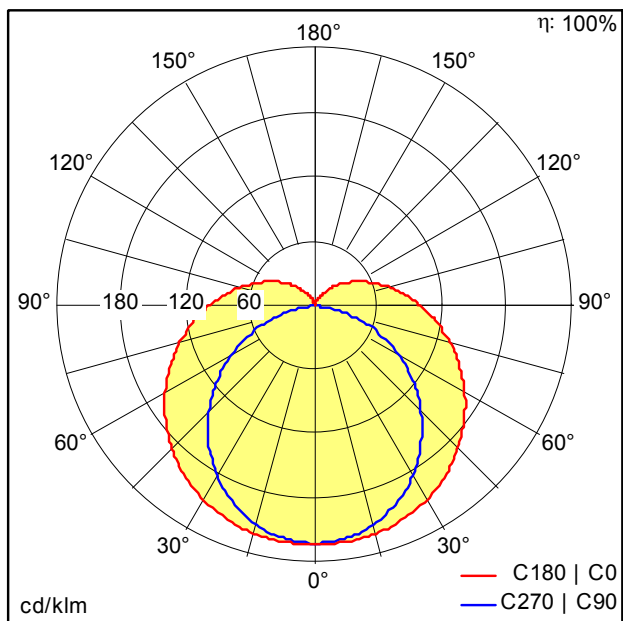
TE\_MIKE\_F\_1170\_persp.jpg



TE\_MIKE2\_M\_LD1.wmf

## Light Distribution

## STD - standard



TE\_MIKE\_LED\_1177\_1800\_840.idt

- Light Source: LED
- Luminaire luminous flux\*: 1800 lm
- Luminaire efficacy\*: 82 lm/W
- Colour Rendering Index min.: 80
- Correlated colour temperature: 4000 Kelvin
- Chromaticity tolerance (initial MacAdam): 4
- Rated median useful life\*:  
L70 50000h at 25°C
- Ballast: 1x LED\_Con
- Luminaire input power\*: 22 W Power factor = 0.9
- Dimming: Fixed output