

# George

## LED high bay



### Meet George

Reliable, efficient and bright, George feels comfortable in high ceilings

- George offers a simple, direct and cost-effective one-for-one replacement of traditional HID high bay luminaires
- Efficient LEDs (120 lm/W) combined with a lens technology offering a beam angle of 90° to reduce waste light
- With a long 50 000-hour lifetime, George eliminates the need for costly and disruptive lamp replacements
- The housing is carefully designed to allow air through the luminaire. This prevents the components from overheating and ensures optimum performance in industrial environments
- Supplied with 3 pin flex & plug (3m length)



12 000 –  
30 000 lumens



50 000 hours  
lifetime



IK08 rated  
impact  
resistance



90° beam  
angle



IP65: Dust  
tight and  
water  
resistant

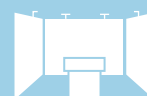


Save up to  
50% energy  
compared  
to HID

### Ideal for...



Retail outlets



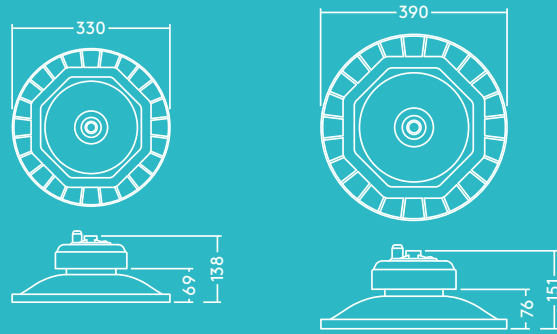
Exhibition Halls



Warehouses

### Light source information

- Lifetime 50 000 hours (@L70B50, Ta 25 °C)
- 12000lm (100 W), 18000lm (150 W), 24000lm (200 W), 30000lm (250 W), up to 120lm/W
- Colour temperature: 4000 K
- CRI80
- McAdams (initial): 5 step

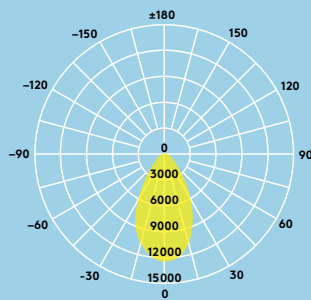


## Lighting distribution

### George 12000 lm

cd/klm ULOR: 0% DLOR: 100% LOR: 100%

120 lm/W 



## Ordering guide

Description	Wt (kg)	SAP Code
GEORGE LED 330 12000 840 FP <sup>1</sup>	3.40	96629086
GEORGE LED 330 18000 840 FP <sup>2</sup>	3.80	96629087
GEORGE LED 390 24000 840 FP <sup>3</sup>	6.00	96629088
GEORGE LED 390 30000 840 FP <sup>3</sup>	6.00	96629089
<b>Mounting brackets</b>		
SET OF GEORGE STIRRUP S (6pcs) <sup>1</sup>	0,37x6	96629371
SET OF GEORGE STIRRUP M (6pcs) <sup>2</sup>	0,37x6	96629372
SET OF GEORGE STIRRUP L (6pcs) <sup>3</sup>	0,47x6	96629373

<sup>123</sup>The small numbers indicate how to match fittings and mounting brackets.

### Installation/Mounting

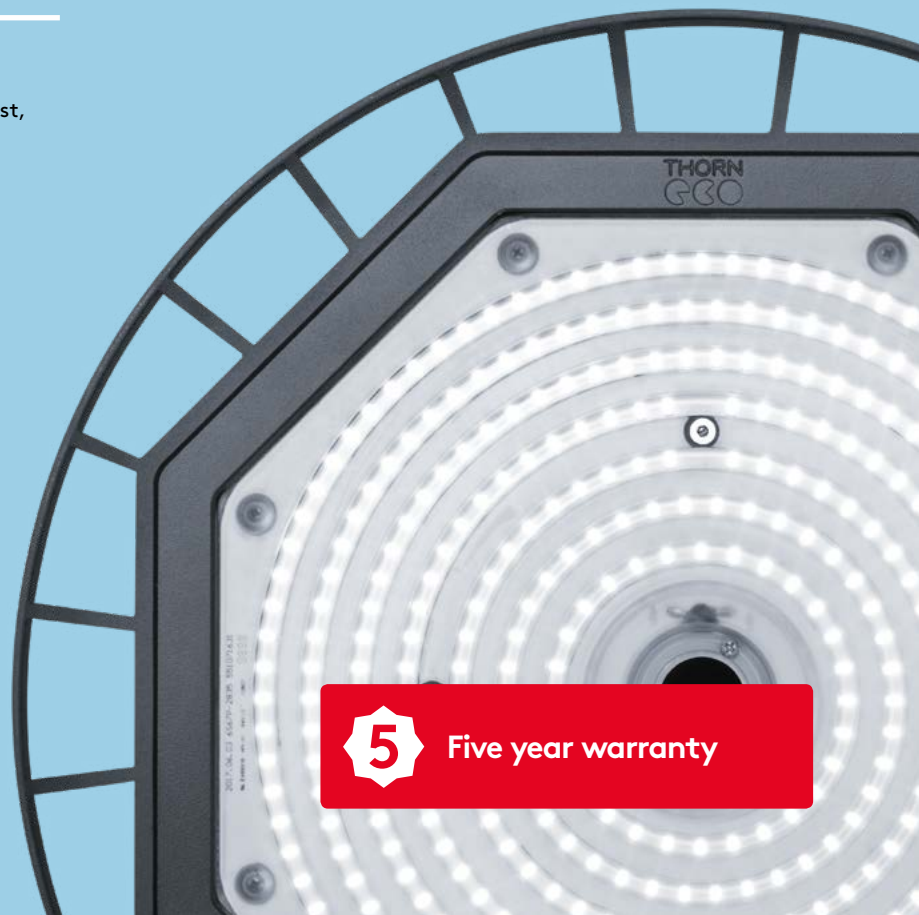
- Single point suspension (mounting hook supplied with luminaire)
- Stirrup for wall/ceiling mounting (available as accessory)

### Material/Finish

Body: Aluminum die-cast, black (RAL9017)  
 Lens: PC

### Specification

- Class I electrical
- IP65
- IK08
- Ambient operating temperature: -30 to +50°C



Five year warranty