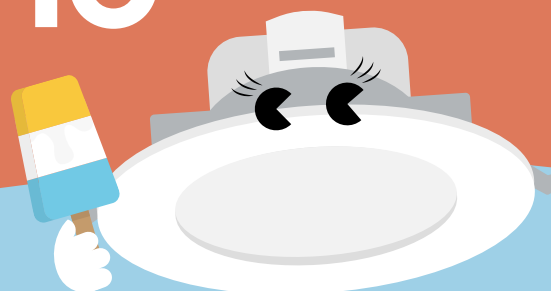


# Sharon Vario

## LED Downlight



Reliable and adaptable,  
Sharon Vario is perfectly  
suited to everyday needs

- A compact recessed LED downlight with switchable light colour: choose between warm white (3000 K), cool white (4000 K) and daylight (5700 K) to suit application use
- Beam angle 95°
- High colour rendering and uniform light surface with no shadowing
- Integrated electronic dimmable LED driver suitable with trailing edge and universal dimmers\*
- Two sizes available: 8 W with 90–95 mm cut-out and 16 W with 160–170 mm cut-out

\*see installation instructions for compatible dimmer list



Switchable  
light colour



700–1691  
lumens, up  
to 105 lm/W



IP54  
(from below)  
IP40  
(from above)



40 000 hours  
lifetime



Dimmable



Replacement  
for 1×18 W CFL  
and 2×18 W CLF

Ideal for ...



Corridors



Reception  
areas



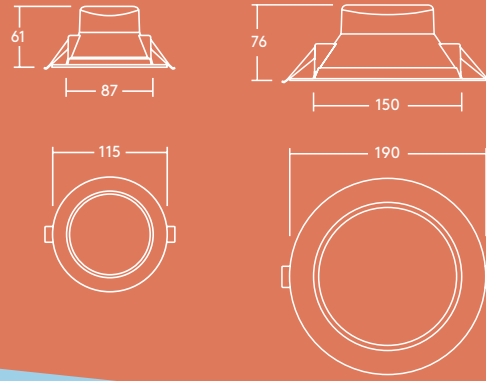
Offices and  
meeting rooms



Schools and  
universities



IC-4



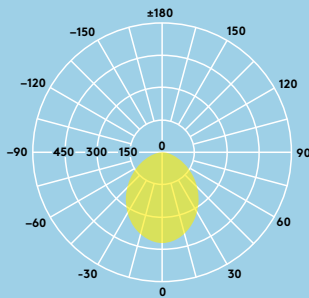
## Lighting distribution

100lm/W



**Sharon Vario 800lm  
4000K**

cd/klm ULOR: 0 %  
DLOR: 100 %  
LOR: 100 %

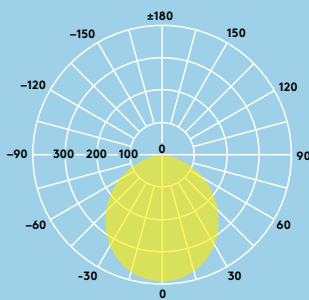


100lm/W



**Sharon Vario 1600lm  
4000K**

cd/klm ULOR: 0 %  
DLOR: 100 %  
LOR: 100 %



## Ordering guide

Description	Wt (kg)	SAP Code
SHARON VAR LED 90 800 830/40/57 DIM FP	0.25	96649647
SHARON VAR LED 160 1600 830/40/57 DIM FP	0.50	96649648

### Light source information

- Lifetime 40 000 hours (L70, Ta 25°C)
- 3000K: 700lm (8W) and 1485lm (16W)
- 4000K: 800lm (8W) and 1691lm (16W)
- 5700K: 735lm (8W) and 1530lm (16W)
- CRI 80

### Specification

- Class II electrical
- IP54 (from below), IP40 (from above)
- IK02
- Insulation Coverable Luminaire (IC-4)

### Installation/Mounting

- Sharon Vario LED can be installed into a wide range of ceiling types of 2-20mm thickness

### Material/Finish

Body and trim: Polymer, white

