

Harry

LED High Bay

FLEX

Ideal for:



Production



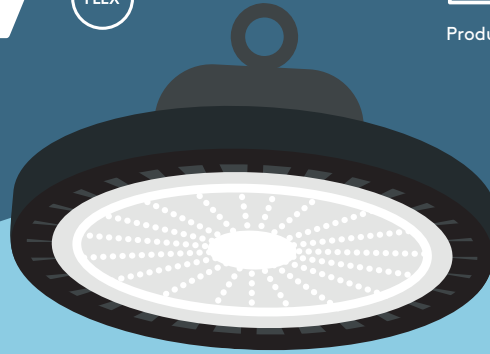
Warehouses



Exhibition
Halls



Retail
Outlets



Powerful yet gentle, highly efficient Harry is the ideal solution for high ceilings and open areas.



Lumen switch
(2 sizes with
switchable
lumen
packages)



IP65:
Dust tight
and water
resistant



50 000 hours
lifetime
before
luminous flux
is reduced to
80% of initial
value

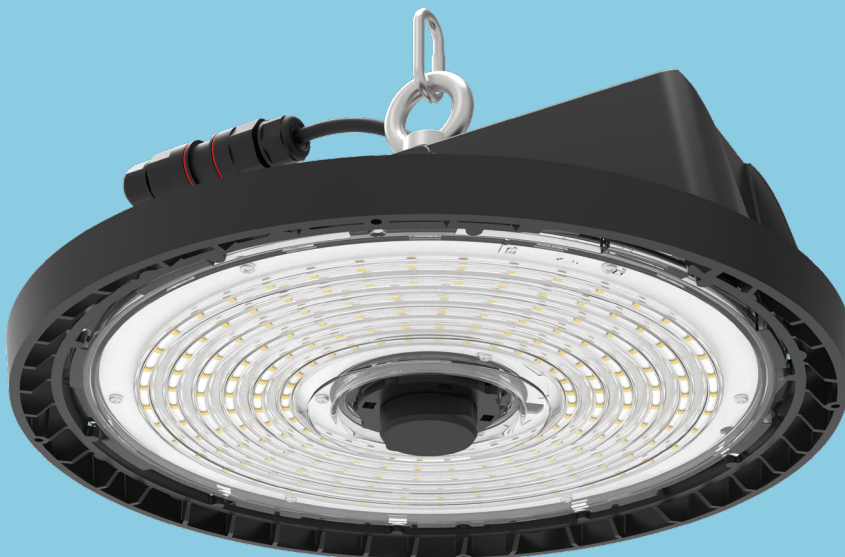


IK08
rated
impact
resistance



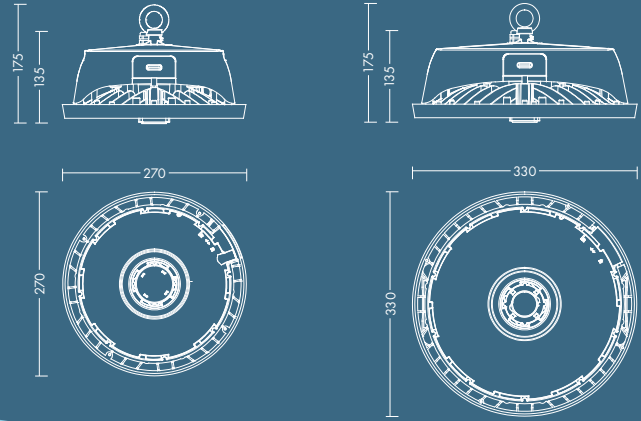
PLUG&PLAY
E2 Kit separately
available

- FLEX Feature (Lumen switch): The flexibility to decide on your lumen package on site makes Harry easy to stock and easy to use
- Excellent efficiency up to 164 lm/W make Harry a great replacement for conventional lighting with energy savings of greater than 50 % versus traditional solutions
- Save time and money with hassle free quick connect installation
- Efficient lens technology offering glare control and beam angle of 85° for homogeneous illumination.
- Housing design allows air flow cooling of the luminaire to ensure optimum performance in industrial environments
- Harry PLUG&PLAY MWS and PIR sensors for detecting presence and daylight make Harry even more efficient
- Ready for Quick and easy conversion of Harry for emergency operation thanks to the PLUG&PLAY E2 kit



	Ø	H1	H2
HARRY FLEX S 18000 840 FP	270	135	175
HARRY FLEX L 30000 840 FP	330	135	175

Dimensions (mm)



Specification

Electrical class	I
Ambient operating temperature	-30°C to 45°C
IP rating	IP65
IK rating	IK08 (IK03 for PIR)

Installation / Mounting

Mounting	Single point for suspension or surface mounting (mounting hook supplied with luminaire) Stirrup for wall/ceiling mounting (available as accessory)
----------	-------------------------------------------------------------------------------------------------------------------------------------------------------

Material / Finish

Body	Die-cast aluminium, black (RAL 9017)
Lens	Polycarbonate
Stirrup	Powdercoated sheet steel

Light source information

Flex (Lumen Switch)	S:	18000 lm (110W), 15000 lm (90W), 10000 lm (60W)
	L:	30000 lm (185W), 25000 lm (150W), 20000 lm (120W)
Colour temperature		4000K
Efficiency		up to 164 lm/W
Lifetime		50 000 hrs @ L80 / Ta 25°
CRI		>80
MacAdam (Initial)		5

Ordering guide

Description	SAP Code
HARRY FLEX S 18000 840 FP	96652718
HARRY FLEX L 30000 840 FP	96652719
Accessories	
HARRY FLEX STIRRUP S (6 PCS)	96652722
HARRY FLEX STIRRUP L (6 PCS)	96652723
HARRY FLEX ALU REFLECTOR S	96652724
HARRY FLEX ALU REFLECTOR L	96652725
HARRY FLEX PC REFRACTOR S	96652726
HARRY FLEX PC REFRACTOR L	96652727
HARRY PLUG&PLAY E2 KIT 5.5W LiFePO4	96652968
BORIS PLUG&PLAY MWS SENSOR GEN2	96635768
BORIS PLUG&PLAY PIR SENSOR GEN2	96635769
BORIS SENSOR REMOTE CONTROL GEN2	96635770

