

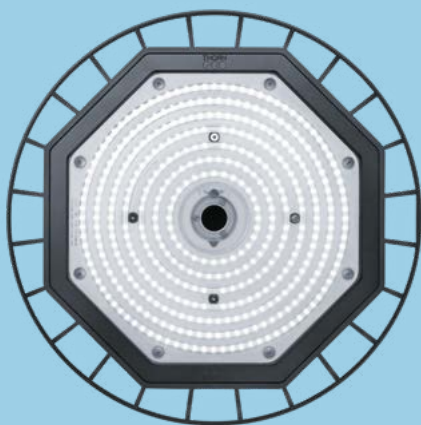
# George

## Cool White LED High Bay



### Reliable, efficient and bright, George feels comfortable in high ceilings

- George offers a simple, direct and cost-effective one-for-one replacement of traditional HID high bay luminaires
- Efficient LEDs (120 lm/W) combined with a lens technology offering a beam angle of 90° to reduce waste light
- With a long 50 000-hours lifetime, George eliminates the need for costly and disruptive lamp replacements
- The housing is carefully designed to allow air through the luminaire. This prevents the components from overheating and ensures optimum performance in industrial environments
- Supplied with 3 pin flex & plug (3m length)
- quick and easy conversion of George for emergency operation thanks to the PLUG&PLAY E3 kit



12 000 –  
30 000 lumens



50 000 hours  
lifetime



IK08 rated  
impact  
resistance



90° beam angle



IP65:  
Dust tight and  
water resistant



Save up to  
50% energy  
compared to  
HID

#### Ideal for ...



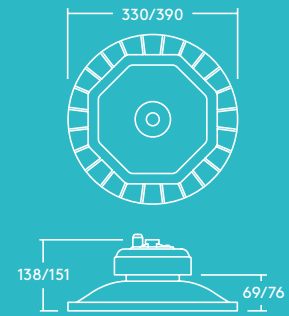
Retail outlets



Exhibition halls

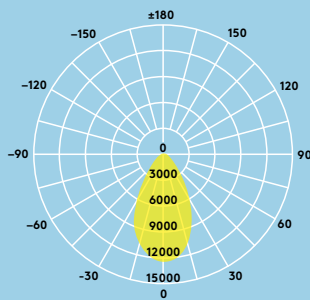


Warehouses



## Lighting distribution

120 lm/W



**George 12000 lm**  
 cd/klm ULOR: 0 %  
 DLOR: 100 %  
 LOR: 100 %

## Light source information

- Lifetime 50 000 hours (@L70B50, Ta 25 °C)
- 12000 lm (100 W), 18000 lm (150 W), 24000 lm (200 W), 30000 lm (250 W), up to 120 lm/W
- Colour temperature: 4000 K
- CRI 80
- McAdams (initial): 5 step

## Installation/Mounting

- Single point suspension (mounting hook supplied with luminaire)
- Stirrup for wall/ceiling mounting (available as accessory)

## Material/Finish

Body: Aluminum die-cast, black (RAL 9017)  
 Lens: PC

## Ordering guide

| Description                                 | Wt (kg)  | SAP Code |
|---|----------|----------|
| GEORGE LED 330 12000 840 FP <sup>1</sup>    | 3.40     | 96629086 |
| GEORGE LED 330 18000 840 FP <sup>2</sup>    | 3.80     | 96629087 |
| GEORGE LED 390 24000 840 FP <sup>3</sup>    | 6.00     | 96629088 |
| GEORGE LED 390 30000 840 FP <sup>3</sup>    | 6.00     | 96629089 |
| <b>Mounting brackets</b>                    |          |          |
| SET OF GEORGE STIRRUP S (6pcs) <sup>1</sup> | 0.37 × 6 | 96629371 |
| SET OF GEORGE STIRRUP M (6pcs) <sup>2</sup> | 0.39 × 6 | 96629372 |
| SET OF GEORGE STIRRUP L (6pcs) <sup>3</sup> | 0.47 × 6 | 96629373 |
| <b>Accessories</b>                          |          |          |
| GEORGE PLUG&PLAY E3 Kit                     | 2.10     | 96631214 |

<sup>123</sup> The small numbers indicate how to match fittings and mounting brackets.

## Specification

- Class I electrical
- IP65
- IK08
- Ambient operating temperature: -30 to +50 °C

