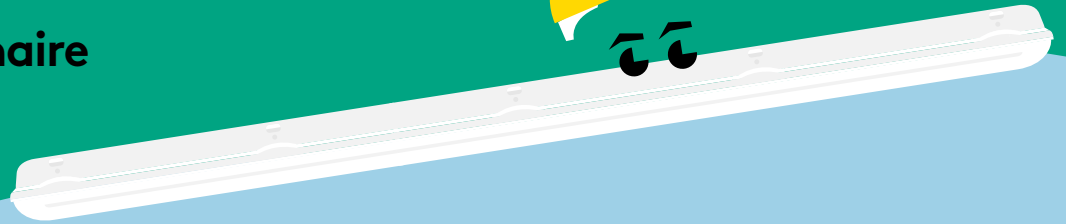


# Julie

## IP65 LED Luminaire



With a tough exterior, Julie is the optimal choice for industrial and commercial applications

- High quality, low energy lighting in wet and dusty environments
- High quality opal diffuser for uniform lighting
- Ideal for replacement and refurbishment projects
- CONNECT version with quick connector for easy installation available
- 2200 lm (19 W), 3200 lm (28 W), 4200 lm (38 W), 6300 lm (55 W), 8600 lm (76 W) up to 116 lm/W
- Colour Temperature 4000 K
- Available with presence sensor and corridor function



**IP65:**  
Dust tight and water resistant



Save up to 60% energy compared to T8 fluorescent



**IK08** rated impact resistance



Lengths of 632, 1232, 1532 and 1800 mm



3 h emergency version available



Presence sensor with corridor function

Ideal for...



Workshops



Underpasses

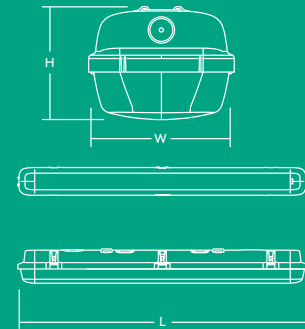


Storage facilities

### Specification

- Class I electrical
- IK08
- IP65
- ENEC certified driver
- Ambient operating temperature: -20 to +40°C (E3: 0 to +25°C)

	L	W	H
JULIE 600 LED IP65 2200	632	103	78
JULIE 1200 LED IP65 3200	1232	85	71
JULIE 1200 LED IP65 4200	1232	103	78
JULIE 1500 LED IP65 4200	1532	85	71
JULIE 1500 LED IP65 6300	1532	103	78
JULIE 1800 LED IP65 8600	1800	103	78



## Performance guide

Ceiling height (m)	Luminaire Spacings (m)	Lux Level Average ( $E_m$ )	Uniformity ( $U_o$ )	UGR
4200 lumens – Open plan mezzanine floor				
2.4	3.45 x 3.45	254lux	0.83	<25.3
	2.3 x 2.3	578lux	0.78	<25.3
3.0	3.45 x 3.45	244lux	0.77	<25.1
	2.3 x 2.3	542lux	0.74	<25.1
3.5	3.45 x 3.45	233lux	0.75	<24.2
	2.3 x 2.3	514lux	0.72	<24.2

Based on a 13.8x13.8 metre open plan mezzanine floor with 70/50/20 reflectances, a 0.80 maintenance factor and 0.8 working plane

## Presence sensor with corridor function

Julie's microwave sensor option with corridor function will ensure that you never walk in the dark. The motion detection range, standby dimming level and the stand-by period are fully adjustable, with the additional benefit of a daylight sensor.

## Light source information

- Lifetime 50 000 hours (@L70, Ta 25 °C)
- 2200lm (19W), 3200lm (28W), 4200lm (38W), 6300lm (55W), 8600lm (76W) up to 116lm/W
- Colour temperature 4000K
- CRI80
- MacAdam (initial): 4 step

## Installation/Mounting

Suitable for surface mounting. 4x10 mm stainless steel self-tapping screws (not included) can be applied to prevent unauthorised opening of the luminaire.

## Material/Finish

Canopy: Polycarbonate  
Diffuser: Opal polycarbonate (UV stabilised)  
Bracket: Stainless steel

## Ordering guide

Description	Wt (kg)	Cat. No.
JULIE 600 LED IP65 2200 840	1.03	JU1800Z2F
JULIE 1200 LED IP65 3200 840	1.30	JU3000Z4F
JULIE 1200 LED IP65 4200 840	1.50	JU4000Z4F
JULIE 1500 LED IP65 4200 840	1.56	JU4000Z5F
JULIE 1500 LED IP65 6300 840	1.95	JU6000Z5F
JULIE 1800 LED IP65 8600 840	2.15	JU8000Z6F
JULIE 1200 LED IP65 4200 840 CONNECT	1.60	JU4000ZQC4F
JULIE 1500 LED IP65 6300 840 CONNECT	2.05	JU6000ZQC5F
JULIE 1800 LED IP65 8600 840 CONNECT	2.40	JU8000ZQF6F
JULIE 1200 LED IP65 4200 840 COR MWS	1.95	JU4000ZCM4F
JULIE 1500 LED IP65 4200 840 COR MWS	2.05	JU4000ZCM5F
JULIE 1500 LED IP65 6300 840 COR MWS	2.35	JU6000ZCM5F
JULIE 1200 LED IP65 4200 840 COR MWS CON	2.05	JU4000ZQCM4F
JULIE 1500 LED IP65 6300 840 COR MWS CON	2.45	JU6000ZQCM5F

### Emergency versions

JULIE 1200 LED IP65 3200 840 E3	2.00	JU3000ZE4F
JULIE 1200 LED IP65 4200 840 E3	2.15	JU4000ZE4F
JULIE 1500 LED IP65 4200 840 E3	2.20	JU4000ZE5F
JULIE 1500 LED IP65 6300 840 E3	2.60	JU6000ZE5F
JULIE 1800 LED IP65 8600 840 E3	2.20	JU8000ZE6F
JULIE 1200 LED IP65 4200 840 COR MWS E3	2.60	JU4000ZECM4F
JULIE 1500 LED IP65 4200 840 COR MWS E3	2.65	JU4000ZECM5F
JULIE 1500 LED IP65 6300 840 COR MWS E3	3.05	JU6000ZECM5F

### Spare parts

JULIE LED Spare Mount Kit	0.10	JUACCKIT
JULIE LED CONNECT Spare Mount Kit	0.10	JUCONKIT
JULIE LED Suspension Kit	0.03	JUSUSKIT

### Lighting Controls

SWITCHLITE SLD BATTEN PIR	see appendix
SWITCHLITE CC PROGRAMMER	see appendix

MWS: microwave presence sensor COR: corridor function TW: through-wired CONNECT : with quick connector