

Julie

IP65 LED Luminaire



Meet Julie

With a tough exterior, Julie is the optimal choice for industrial and commercial applications

- High quality, low energy lighting in wet and dusty environments
- High quality opal diffuser for uniform lighting
- Ideal for replacement and refurbishment projects
- CONNECT version with quick connector for easy installation available
- 1800 lm (20 W), 3000 lm (30 W), 4000 lm (40 W), 6000 lm (60 W), 8000 lm (80 W) up to 100 lm/W
- Colour Temperature 4000 K
- Available with presence sensor and corridor function



IP65:
Dust tight and water resistant



Save up to 60% energy compared to T8 fluorescent



IK08 rated
impact resistance



632 mm (2 ft)
1232 mm (4 ft)
1532 mm (5 ft)
1800 mm (6 ft)



3h emergency version available



Presence sensor with corridor function

Ideal for...



Car parks



Workshops



Underpasses



Storage facilities

Installation/Mounting

Suitable for surface mounting. 4 x 10 mm stainless steel self-tapping screws (not included) can be applied to prevent unauthorised opening of the luminaire.

Material/Finish

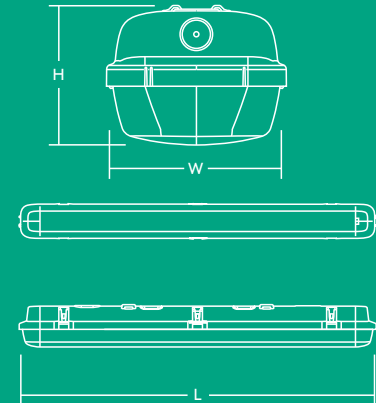
Canopy: Polycarbonate
Diffuser: Opal polycarbonate (UV stabilised)
Bracket: Stainless steel

Specification

- Class I electrical
- IK08
- IP65
- ENEC certified driver
- Ambient operating temperature: -20 to +40 °C (E3: 0 to +25 °C)

L W H

JULIE 600 LED IP65 1800	632	103	78
JULIE 1200 LED IP65 3000	1232	85	71
JULIE 1200 LED IP65 4000	1232	103	78
JULIE 1500 LED IP65 4000	1532	85	71
JULIE 1500 LED IP65 6000	1532	103	78
JULIE 1800 LED IP65 8000	1800	103	78



Performance guide

4000 lumens – Open plan mezzanine floor

Ceiling height (m)	Luminaire Spacings (m)	Lux Level Average (E _m)	Uniformity (U _o)	UGR
2.4	3.4 × 3.4	236 lux	0.82	25
	2.3 × 3.4	342 lux	0.82	25
	2.3 × 2.3	519 lux	0.78	25
3.0	3.4 × 3.4	222 lux	0.77	25
	2.3 × 3.4	330 lux	0.75	25
	2.3 × 2.3	486 lux	0.74	25
3.5	3.4 × 3.4	208 lux	0.75	25
	2.3 × 3.4	312 lux	0.73	25
	1.8 × 2.8	518 lux	0.72	25

2000 lumens – Open plan mezzanine floor

Ceiling height (m)	Luminaire Spacings (m)	Lux Level Average (E _m)	Uniformity (U _o)	UGR
2.4	4.6 × 4.6	206 lux	0.72	25
	3.4 × 3.4	355 lux	0.84	25
	2.3 × 3.4	546 lux	0.81	25
3.0	4.6 × 4.6	197 lux	0.75	25
	3.4 × 3.4	343 lux	0.78	25
	2.3 × 3.4	512 lux	0.75	25
3.5	3.4 × 4.3	246 lux	0.74	25
	3.4 × 2.4	325 lux	0.75	25
	2.8 × 2.8	506 lux	0.73	25

Based on a 13.8 × 13.8 metre open plan mezzanine floor with 70/50/20 reflectances, a 0.80 maintenance factor and the floor as the working plane.

Light source information

- Lifetime 50 000 hours (@L70, Ta 25 °C)
- 1800lm (20W), 3000lm (30W), 4000lm (40W), 6000lm (60W), 8000lm (80W), up to 100lm/W
- Colour temperature 4000K
- CRI 80
- MacAdam (initial): 4 step

Presence sensor with corridor function

Julie's microwave sensor option with corridor function will ensure that you never walk in the dark. The motion detection range, standby dimming level and the stand-by period are fully adjustable, with the additional benefit of a daylight sensor.

www.thorneco.com

Ordering guide

Description	Wt (kg)	Cat. No.
JULIE 600 LED IP65 1800 840	1.03	JU1800Z2F
★ JULIE 1200 LED IP65 3000 840	1.30	JU3000Z4F
JULIE 1200 LED IP65 4000 840	1.50	JU4000Z4F
JULIE 1500 LED IP65 4000 840	1.56	JU4000Z5F
JULIE 1500 LED IP65 6000 840	1.95	JU6000Z5F
★ JULIE 1800 LED IP65 8000 840	2.15	JU8000Z6F
JULIE 1200 LED IP65 4000 840 CONNECT	1.60	JU4000ZQC4F
JULIE 1500 LED IP65 6000 840 CONNECT	2.05	JU6000ZQC5F
★ JULIE 1800 LED IP65 8000 840 CONNECT	2.40	JU8000ZQF6F
JULIE 1200 LED IP65 4000 840 COR MWS	1.95	JU4000ZCM4F
JULIE 1500 LED IP65 4000 840 COR MWS	2.05	JU4000ZCM5F
JULIE 1500 LED IP65 6000 840 COR MWS	2.35	JU6000ZCM5F
JULIE 1200 LED IP65 4000 840 COR MWS CON	2.05	JU4000ZQCM4F
JULIE 1500 LED IP65 6000 840 COR MWS CON	2.45	JU6000ZQCM5F

Emergency versions

★ JULIE 1200 LED IP65 3000 840 E3	2.00	JU3000ZE4F
JULIE 1200 LED IP65 4000 840 E3	2.15	JU4000ZE4F
JULIE 1500 LED IP65 4000 840 E3	2.20	JU4000ZE5F
JULIE 1500 LED IP65 6000 840 E3	2.60	JU6000ZE5F
★ JULIE 1800 LED IP65 8000 840 E3	2.20	JU8000ZE6F
★ JULIE 1200 LED IP65 4000 840 COR MWS E3	2.60	JU4000ZECM4F
★ JULIE 1500 LED IP65 4000 840 COR MWS E3	2.65	JU4000ZECM5F
★ JULIE 1500 LED IP65 6000 840 COR MWS E3	3.05	JU6000ZECM5F

Spare parts

JULIE LED Spare Mount Kit	0.10	JUACCKIT
JULIE LED CONNECT Spare Mount Kit	0.10	JUCONKIT
★ JULIE LED Suspension Kit	0.03	JUSUSKIT

Lighting Controls

SWITCHLITE SLD BATTEN PIR	see appendix
SWITCHLITE CC PROGRAMMER	see appendix

MWS: microwave presence sensor COR: corridor function TW: through-wired
CONNECT: with quick connector

★ New



Five year guarantee