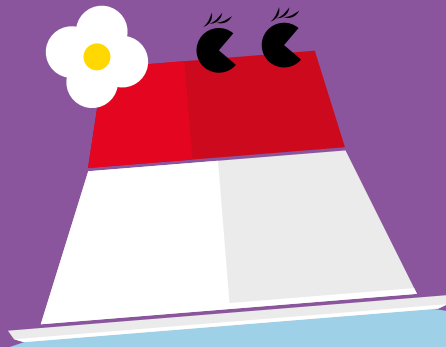


Amy

Recessed LED Downlight



Meet Amy
With a pleasing aesthetic, Amy is the ideal solution for a vast range of applications

- Consistent light output with no shadowing
- Replacement for traditional 1×18 W, 1×26 W, 2×18 W or 2×26 W compact fluorescent downlights
- Choice of 3000 K or 4000 K to suit application use
- Thermally optimised, deep drawn, aluminium body
- Easy, quick and tool-free installation thanks to an external connector box with a 4-pole push-terminal enabling loop-in loop-out wiring
- The fully detachable connector allows for first fix wiring and high voltage circuit testing whilst the luminaire is detached from the connector



800–2000 lumens, up to 95 lm/W



50 000 hours lifetime



Save up to 80% energy compared to compact fluorescent downlights



105, 150 and 200 mm cut-outs



3 h emergency version available

Ideal for...



Corridors



Reception areas



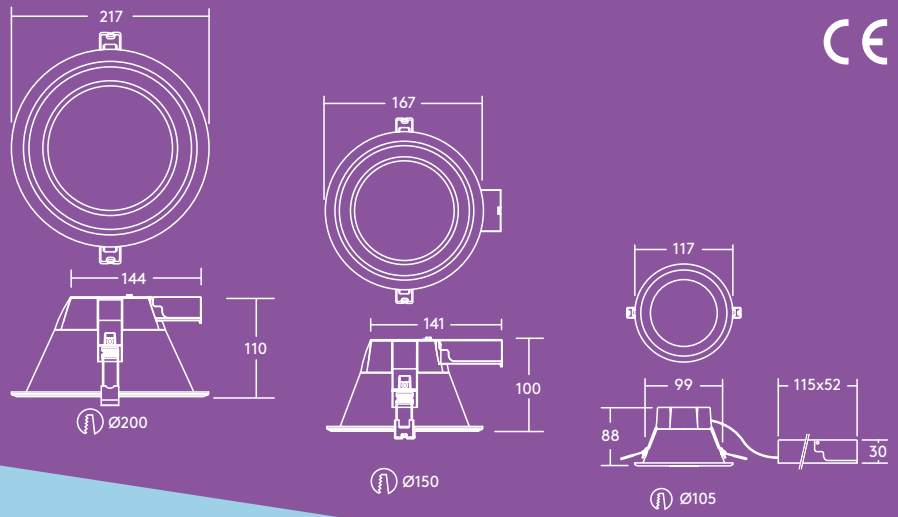
Offices and meeting rooms



Schools and universities

Light source information

- Lifetime 50 000 hours (@L70, Ta 25°C)
- 800 lm (9 W), 1000 lm (12 W), 1500 lm (16 W), 2000 lm (21 W), up to 95 lm/W
- Colour temperatures: 4000 K and 3000 K
- CRI 80
- MacAdam (initial): 4 step



Performance guide

1000 lumens – Corridor

Ceiling height (m)	Luminaire Spacings (m)	Lux Level Average (E _m)	Uniformity (U _o)	UGR
2.4	3.6 (5 tiles)	76 lux	0.69	25
	3.0 (4 tiles)	90 lux	0.59	25
	2.4 (3 tiles)	113 lux	0.73	25
2.7	3.6 (5 tiles)	70 lux	0.71	25
	3.0 (4 tiles)	82 lux	0.63	25
	2.4 (3 tiles)	104 lux	0.73	25
3.0	3.6 (5 tiles)	64 lux	0.70	25
	3.0 (4 tiles)	75 lux	0.63	25
	2.4 (3 tiles)	96 lux	0.72	25

2000 lumens – Corridor

Ceiling height (m)	Luminaire Spacings (m)	Lux Level Average (E _m)	Uniformity (U _o)	UGR
2.4	3.6 (5 tiles)	140 lux	0.69	25
	3.0 (4 tiles)	164 lux	0.60	25
	2.4 (3 tiles)	208 lux	0.73	25
2.7	3.6 (5 tiles)	129 lux	0.70	25
	3.0 (4 tiles)	151 lux	0.63	25
	2.4 (3 tiles)	191 lux	0.73	25
3.0	3.6 (5 tiles)	118 lux	0.70	25
	3.0 (4 tiles)	138 lux	0.63	25
	2.4 (3 tiles)	176 lux	0.72	25

Based on a 21 x 2 metre corridor with 70/50/20 reflectances, a 0.80 maintenance factor and the floor as the working plane

Installation/Mounting

Amy LED can be installed into a wide range of ceiling types of 2–20 mm thickness (AMY 150 and 200 LED DL) or 2–15 mm thickness (AMY 100 LED DL).

Material/Finish

Body: Aluminum, white finish (RAL 9003)
Diffuser: Polycarbonate

Specification

- Class I electrical
- IP20
- IK02
- Ambient operating temperature: -20 to +35 °C (E3: 0 to +25 °C)

Ordering guide

Description	Wt (kg)	Cat. No.
AMY 100 LED DL 800 830	0.27	AY800Z3K
AMY 100 LED DL 800 840	0.27	AY800Z4K
AMY 150 LED DL 1000 830	0.3	AY1000Z3K
AMY 150 LED DL 1000 840	0.3	AY1000Z4K
AMY 150 LED DL 1500 830	0.3	AY1500Z3K
AMY 150 LED DL 1500 840	0.3	AY1500Z4K
AMY 200 LED DL 2000 830	0.4	AY2000Z3K
AMY 200 LED DL 2000 840	0.4	AY2000Z4K
Emergency versions		
AMY 150 LED DL 1000 830 E3	0.66	AY1000ZE3K
AMY 150 LED DL 1000 840 E3	0.66	AY1000ZE4K
AMY 150 LED DL 1500 830 E3	0.66	AY1500ZE3K
AMY 150 LED DL 1500 840 E3	0.66	AY1500ZE4K
AMY 200 LED DL 2000 830 E3	0.76	AY2000ZE3K
AMY 200 LED DL 2000 840 E3	0.76	AY2000ZE4K
Lighting Controls		
SWITHLITE SLDM		SLMW30W
SWITHLITE MRE SLDM ADJ		see appendix
SWITHLITE CC PROGRAMMER		see appendix
Spare parts		
★ THORNeco Connector	0.085	ECONEC

830–3000K, 840–4000K

★ New



Five year guarantee