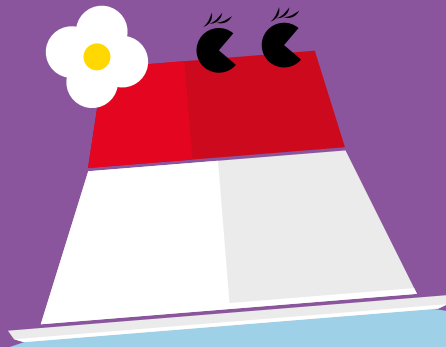


# Amy

## Recessed LED Downlight



**Meet Amy**  
With a pleasing aesthetic; Amy is the ideal solution for a vast range of applications

- Consistent light output with no shadowing
- Replacement for traditional 1x18 W, 1x26 W, 2x18 W or 2x26 W compact fluorescent downlights
- Choice of 3000 K or 4000 K to suit application use
- Thermally optimised, deep drawn, aluminium body
- Easy, quick and tool-free installation thanks to an external connector box with a 4-pole push-terminal enabling loop-in loop-out wiring
- The fully detachable connector allows for first fix wiring and high voltage circuit testing whilst the luminaire is detached from the connector



800–2000 lumens, up to 95 lm/W



50 000 hours lifetime



Save up to 80% energy compared to compact fluorescent downlights



105, 150 and 200 mm cut-outs



3hr emergency version available

### Ideal for...



Corridors



Reception areas



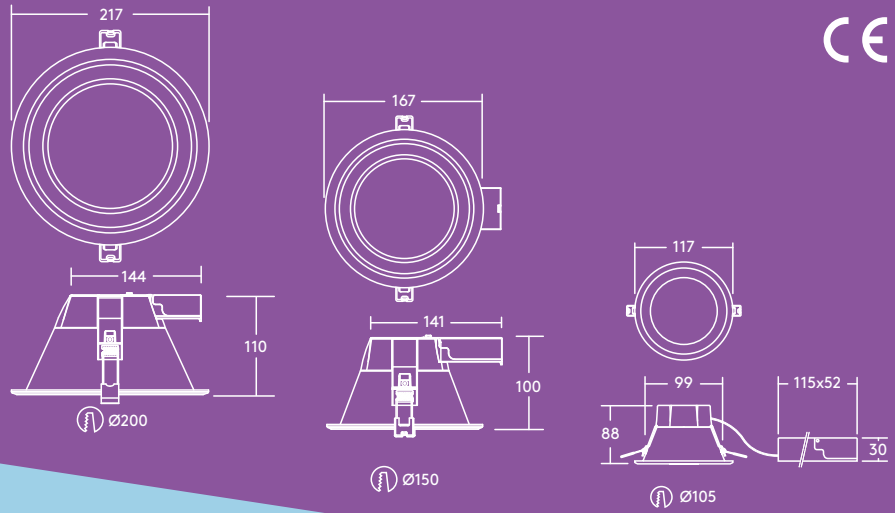
Offices and meeting rooms



Schools and universities

### Light source information

- Lifetime 50 000 hours (@L70, Ta 25 °C)
- 800 lm (9 W), 1000 lm (12 W), 1500 lm (16 W), 2000 lm (21 W), up to 95 lm/W
- Colour temperatures: 4000 K and 3000 K
- CRI 80
- McAdams (initial): 4 step



## Performance guide

### 1000 lumens – Corridor

| Ceiling height (m) | Luminaire Spacings (m) | Lux Level Average ( $E_m$ ) | Uniformity ( $U_o$ ) | UGR |
|--------------------|------------------------|-----------------------------|----------------------|-----|
| 2.4                | 3.6 (5 tiles)          | 76 lux                      | 0.69                 | 25  |
|                    | 3.0 (4 tiles)          | 90 lux                      | 0.59                 | 25  |
|                    | 2.4 (3 tiles)          | 113 lux                     | 0.73                 | 25  |
| 2.7                | 3.6 (5 tiles)          | 70 lux                      | 0.71                 | 25  |
|                    | 3.0 (4 tiles)          | 82 lux                      | 0.63                 | 25  |
|                    | 2.4 (3 tiles)          | 104 lux                     | 0.73                 | 25  |
| 3.0                | 3.6 (5 tiles)          | 64 lux                      | 0.70                 | 25  |
|                    | 3.0 (4 tiles)          | 75 lux                      | 0.63                 | 25  |
|                    | 2.4 (3 tiles)          | 96 lux                      | 0.72                 | 25  |

### 2000 lumens – Corridor

| Ceiling height (m) | Luminaire Spacings (m) | Lux Level Average ( $E_m$ ) | Uniformity ( $U_o$ ) | UGR |
|--------------------|------------------------|-----------------------------|----------------------|-----|
| 2.4                | 3.6 (5 tiles)          | 140 lux                     | 0.69                 | 25  |
|                    | 3.0 (4 tiles)          | 164 lux                     | 0.60                 | 25  |
|                    | 2.4 (3 tiles)          | 208 lux                     | 0.73                 | 25  |
| 2.7                | 3.6 (5 tiles)          | 129 lux                     | 0.70                 | 25  |
|                    | 3.0 (4 tiles)          | 151 lux                     | 0.63                 | 25  |
|                    | 2.4 (3 tiles)          | 191 lux                     | 0.73                 | 25  |
| 3.0                | 3.6 (5 tiles)          | 118 lux                     | 0.70                 | 25  |
|                    | 3.0 (4 tiles)          | 138 lux                     | 0.63                 | 25  |
|                    | 2.4 (3 tiles)          | 176 lux                     | 0.72                 | 25  |

Based on a 21x2 metre corridor with 70/50/20 reflectances, a 0.80 maintenance factor and the floor as the working plane

### Installation/Mounting

Amy LED can be installed into a wide range of ceiling types of 2–20 mm thickness (AMY 150 and 200 LED DL) or 2–15 mm thickness (AMY 100 LED DL).

### Material/Finish

Body: Aluminum, white finish (RAL 9003)  
Diffuser: Polycarbonate

### Specification

- Class I electrical
- IP20
- IK02

## Ordering guide

| Description                | Wt (kg) | Cat. No.     |
|----------------------------|---------|--------------|
| AMY 100 LED DL 800 830     | 0.27    | AY800Z3K     |
| AMY 100 LED DL 800 840     | 0.27    | AY800Z4K     |
| AMY 150 LED DL 1000 830    | 0.3     | AY1000Z3K    |
| AMY 150 LED DL 1000 840    | 0.3     | AY1000Z4K    |
| AMY 150 LED DL 1500 830    | 0.3     | AY1500Z3K    |
| AMY 150 LED DL 1500 840    | 0.3     | AY1500Z4K    |
| AMY 200 LED DL 2000 830    | 0.4     | AY2000Z3K    |
| AMY 200 LED DL 2000 840    | 0.4     | AY2000Z4K    |
| <b>Emergency versions</b>  |         |              |
| AMY 150 LED DL 1000 830 E3 | 0.66    | AY1000ZE3K   |
| AMY 150 LED DL 1000 840 E3 | 0.66    | AY1000ZE4K   |
| AMY 150 LED DL 1500 830 E3 | 0.66    | AY1500ZE3K   |
| AMY 150 LED DL 1500 840 E3 | 0.66    | AY1500ZE4K   |
| AMY 200 LED DL 2000 830 E3 | 0.76    | AY2000ZE3K   |
| AMY 200 LED DL 2000 840 E3 | 0.76    | AY2000ZE4K   |
| <b>Lighting Control</b>    |         |              |
| SWITCHLITE SLDM            |         | SLMW30W      |
| SWITCHLITE MRE SLDM ADJ    |         | see appendix |
| SWITCHLITE CC PROGRAMMER   |         | see appendix |
| <b>Spare parts</b>         |         |              |
| ★ ThornEco Connector       | 0.085   | ECONEC       |

830–3000K, 840–4000K

★ New



Five year guarantee