

Julie

IP65 LED Luminaire



Meet Julie

With a tough exterior, Julie is the optimal choice for industrial and commercial applications

- High quality, low energy lighting in wet and dusty environments
- High quality opal diffuser for uniform lighting
- Ideal for replacement and refurbishment projects
- CONNECT version with quick connector for easy installation available
- 1800 lm (20 W), 3000 lm (30 W), 4000 lm (40 W), 6000 lm (60 W), 8000 lm (80 W) up to 100 lm/W
- Colour Temperature 4000 K
- Versions with presence sensor and corridor function

Installation/Mounting

Suitable for surface mounting. 4x10 mm stainless steel self-tapping screws (not included) can be applied to prevent unauthorised opening of the luminaire.

Material/Finish

Canopy: Polycarbonate
Diffuser: Opal polycarbonate (UV stabilised)
Bracket: Stainless steel



IP65:
Dust tight and water resistant



Save up to 60% energy compared to T8 fluorescent



IK08 rated impact resistance



Lengths of 632 mm, 1232 mm, 1532 mm and 1800 mm



3 h emergency version available



Presence sensor with corridor function

Ideal for...



Car parks



Workshops



Underpasses



Storage facilities

Light source information

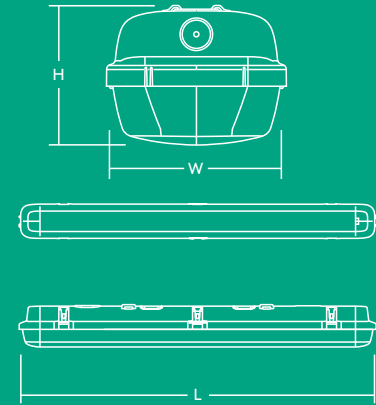
- Lifetime 50000 hours (@L70, Ta 25°C)
- 1800 lm (20 W), 3000 lm (30 W), 4000 lm (40 W), 6000 lm (60 W), 8000 lm (80 W), up to 100 lm/W
- Colour temperature 4000 K
- CRI 80
- MacAdam (initial): 4 step

Specification

- Class I electrical
- IK08
- IP65
- ENEC certified driver
- Ambient operating temperature: -20 to +40°C (E3: 0 to +25°C)



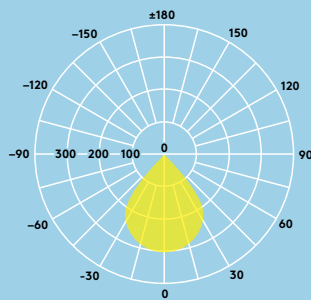
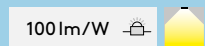
	L	W	H
JULIE 600 LED IP65 1800	632	103	78
JULIE 1200 LED IP65 3000	1232	85	71
JULIE 1200 LED IP65 4000	1232	103	78
JULIE 1500 LED IP65 4000	1532	85	71
JULIE 1500 LED IP65 6000	1532	103	78
JULIE 1800 LED IP65 8000	1800	103	78



Lighting distribution

Julie LED 6000lm

cd/klm ULOR: 8 % DLOR: 92 % LOR: 100 %

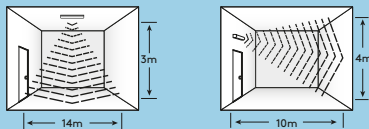


Presence sensor with corridor function

Julie's microwave sensor option with corridor function will ensure that you never walk in the dark. The settings are fully adjustable, with the additional benefit of a daylight sensor.

Sensor Range

at 100% sensitivity



Controlability

Sensitivity	10%, 50%, 75%, 100%
Time	5 s, 30 s, 60 s, 5 min, 10 min, 20 min, 30 min
lux	2 lux, 10 lux, 50 lux, disable
Stand-by time	0 sec, 10 sec, 1 min, 10 min, 30 min, 60 min, endless
Dimming Level	10%, 20%, 30%, 50%

Ordering guide

Description	Wt (kg)	SAP Code
JULIE 600 LED IP65 1800 840	1.03	96628548
★ JULIE 1200 LED IP65 3000 840	1.30	96631255
JULIE 1200 LED IP65 4000 840	1.50	96665577
JULIE 1500 LED IP65 4000 840	1.56	96628396
JULIE 1500 LED IP65 6000 840	1.95	96665580
★ JULIE 1800 LED IP65 8000 840	2.15	96631143
JULIE 1200 LED IP65 4000 840 CONNECT	1.60	96665578
JULIE 1500 LED IP65 6000 840 CONNECT	2.05	96665581
★ JULIE 1800 LED IP65 8000 840 CONNECT	2.40	96631300
JULIE 1200 LED IP65 4000 840 COR MWS	1.95	96630234
JULIE 1500 LED IP65 4000 840 COR MWS	2.05	96630235
JULIE 1500 LED IP65 6000 840 COR MWS	2.35	96630236
JULIE 1200 LED IP65 4000 840 COR MWS CON	2.05	96630237
JULIE 1500 LED IP65 6000 840 COR MWS CON	2.45	96630238
★ JULIE 1200 LED IP65 4000 840 TW	1.50	96630239
★ JULIE 1500 LED IP65 4000 840 TW	1.60	96630240
★ JULIE 1500 LED IP65 6000 840 TW	1.95	96630241
Emergency versions		
★ JULIE 1200 LED IP65 3000 840 E3	2.00	96631404
JULIE 1200 LED IP65 4000 840 E3	2.15	96665579
JULIE 1500 LED IP65 4000 840 E3	2.20	96628397
JULIE 1500 LED IP65 6000 840 E3	2.60	96665582
★ JULIE 1800 LED IP65 8000 840 E3	2.20	96631144
★ JULIE 1200 LED IP65 4000 840 COR MWS E3	2.60	96631093
★ JULIE 1500 LED IP65 4000 840 COR MWS E3	2.65	96631094
★ JULIE 1500 LED IP65 6000 840 COR MWS E3	3.05	96631095
Spare parts		
JULIE LED Spare Mount Kit	0.10	96628409
JULIE LED CONNECT Spare Mount Kit	0.10	96628410
★ JULIE LED Suspension Kit	0.03	96631301

MWS: microwave presence sensor COR: corridor function TW: through-wired
CONNECT : with quick connector

★ New



Five year guarantee