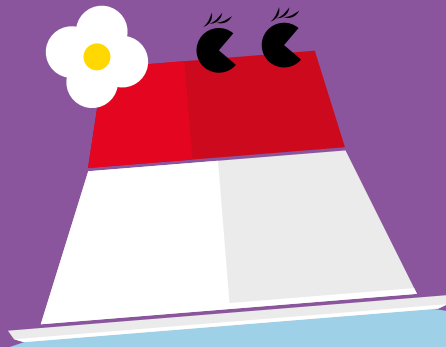


# Amy

## Recessed LED Downlight



**Meet Amy**  
With a pleasing aesthetic, Amy is the ideal solution for a vast range of applications

- Consistent light output with no shadowing
- Replacement for traditional 1×18 W, 1×26 W, 2×18 W or 2×26 W compact fluorescent downlights
- Choice of 3000 K or 4000 K to suit application use
- Thermally optimised, deep drawn, aluminium body
- Easy, quick and tool-free installation thanks to an external connector box with a 4-pole push-terminal enabling loop-in loop-out wiring
- The fully detachable connector allows for first fix wiring and high voltage circuit testing whilst the luminaire is detached from the connector



800–2000 lumens, up to 95 lm/W



50 000 hours lifetime



Save up to 80% energy compared to compact fluorescent downlights



105, 150 and 200 mm cut-outs



3h emergency version available

### Ideal for...



Corridors



Reception areas



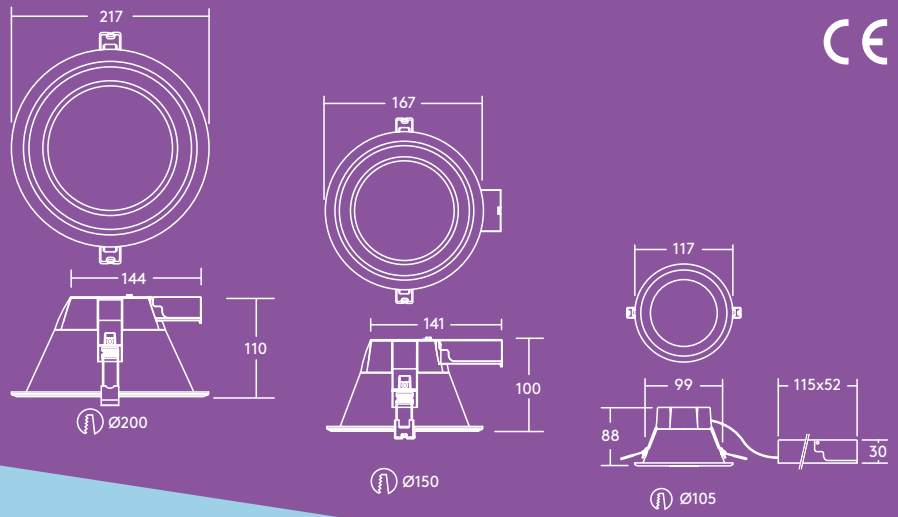
Offices and meeting rooms



Schools and universities

### Specification

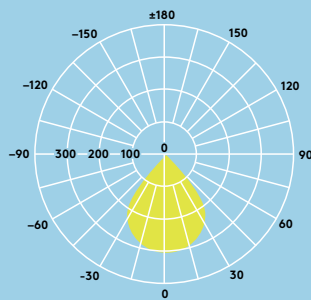
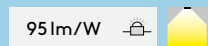
- Class I electrical
- IP20
- IK02
- Ambient operating temperature: -20 to +35°C (E3: 0 to +25°C)



## Lighting distribution

### Amy LED 2000lm

cd/klm ULOR: 0 % DLOR: 100 % LOR: 100 %



### Installation/Mounting

Amy LED can be installed into a wide range of ceiling types of 2–20 mm thickness (AMY 150 and 200 LED DL) or 2–15 mm thickness (AMY 100 LED DL).

### Material/Finish

Body: Aluminum, white finish (RAL 9003)  
Diffuser: Polycarbonate

### Light source information

- Lifetime 50 000 hours (@L70, Ta 25 °C)
- 800lm (9W), 1000lm (12W), 1500lm (16W), 2000lm (21W), up to 95lm/W
- Colour temperatures: 4000K and 3000K
- CRI180
- MacAdam (initial): 4 step

## Ordering guide

Description	Wt (kg)	SAP Code
AMY 100 LED DL 800 830	0.27	96665583
AMY 100 LED DL 800 840	0.27	96665584
AMY 150 LED DL 1000 830	0.3	96628352
AMY 150 LED DL 1000 840	0.3	96628353
AMY 150 LED DL 1500 830	0.3	96665585
AMY 150 LED DL 1500 840	0.3	96665586
AMY 200 LED DL 2000 830	0.4	96665587
AMY 200 LED DL 2000 840	0.4	96665588
<b>Emergency versions</b>		
AMY 150 LED DL 1000 830 E3	0.66	96665848
AMY 150 LED DL 1000 840 E3	0.66	96665849
AMY 150 LED DL 1500 830 E3	0.66	96665844
AMY 150 LED DL 1500 840 E3	0.66	96665845
AMY 200 LED DL 2000 830 E3	0.76	96665846
AMY 200 LED DL 2000 840 E3	0.76	96665847
<b>Accessories</b>		
★ THORNeco Connector	0.085	96631101

830–3000K, 840–4000K

★ New

