



# ZOE VARIO LED IP<sup>20</sup><sub>44</sub>

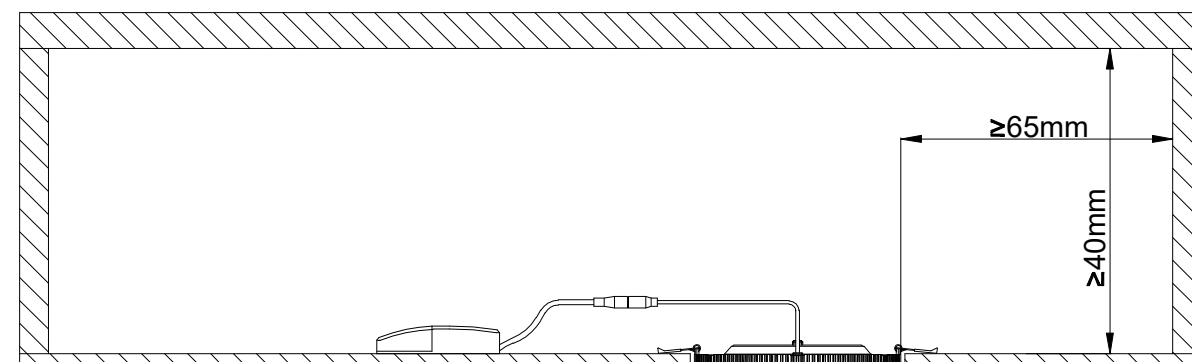
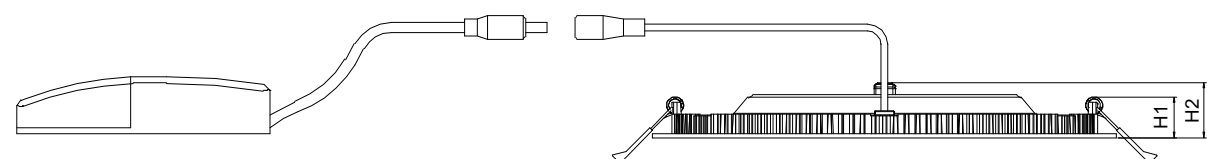
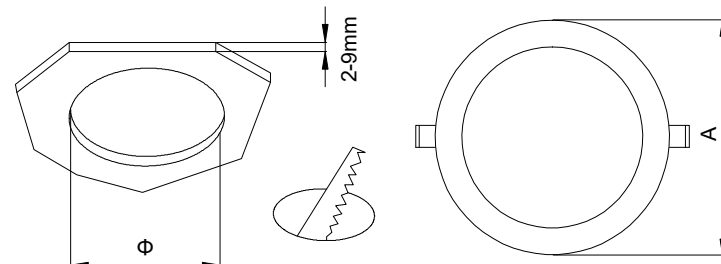


- |                                     |                                       |
|-------------------------------------|---------------------------------------|
| <b>EN</b> Installation Instructions | <b>IT</b> Istruzioni di montaggio     |
| <b>DE</b> Montageanleitung          | <b>LT</b> Montavimo Instrukcijos      |
| <b>CZ</b> Montážní návod            | <b>LV</b> Instalācijas instrukcija    |
| <b>DK</b> Monteringsvejledning      | <b>NO</b> Monteringsanvisning         |
| <b>EE</b> Paigaldusjuhend           | <b>PL</b> Instrukcja montażu          |
| <b>FI</b> Asennusohje               | <b>SE</b> Installationsanvisning      |
| <b>FR</b> Notice de montage         | <b>RU</b> Инструкция по монтажу       |
| <b>HU</b> Szerelési útmutató        | <b>SRB</b> Instrukcija za instalaciju |
| <b>HR</b> Uputstvo za montažu       | <b>SK</b> Montážny návod              |
| <b>NL</b> Montagehandleiding        | <b>SLO</b> Navodilo za montažo        |
| <b>RO</b> Instructiuni de montaj    | <b>CN</b> 安装说明书                       |

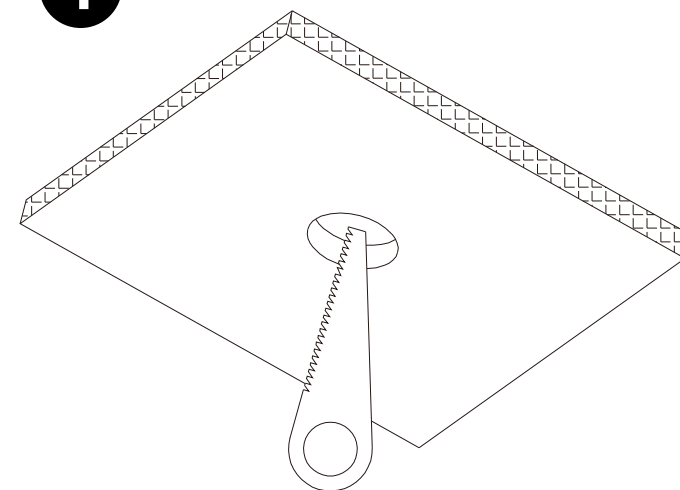
-  1. Installation and commissioning may only be carried out by authorized specialists and wired in accordance with the latest IEE electrical regulations or the national standards.
-  2. Mains power must be switched off before carrying out installation.
3. The manufacturer, shall not be liable for any damage resulting from inappropriate modifications to the luminaire or faulty installation.
4. Light source can't be replaced.  
The control gear provides basic insulation between the LV supply and the control circuit.

Product Description	Wattage	SAP code
ZOE VARIO LED DL 130 700 830/35/40	9W	96632685
ZOE VARIO LED DL 170 1000 830/35/40	12W	96632686
ZOE VARIO LED DL 210 1600 830/35/40	18W	96632687
ZOE VARIO LED DL 210 2000 830/35/40	22W	96632688

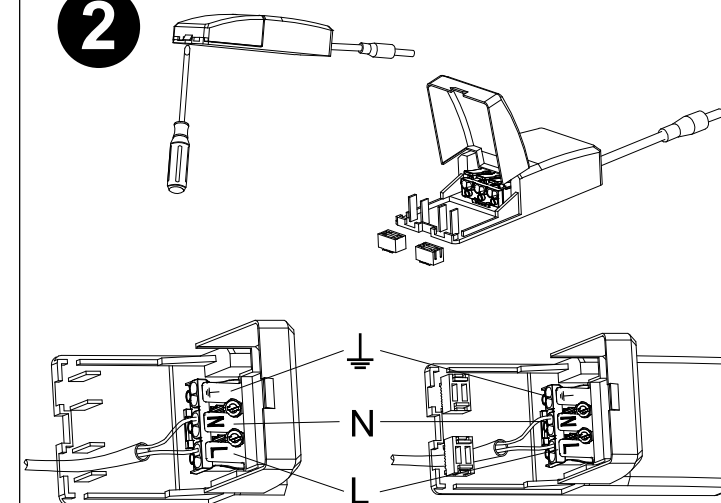
	A	H1	H2	Φ
9W	145mm	20mm	26mm	130mm
12W	180mm	20mm	26mm	170mm
18W	220mm	20mm	26mm	210mm
22W	220mm	20mm	26mm	210mm



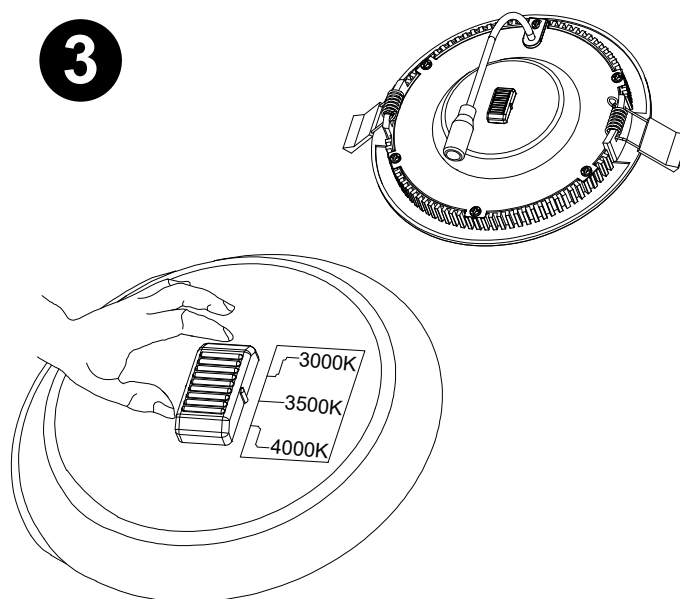
**1**



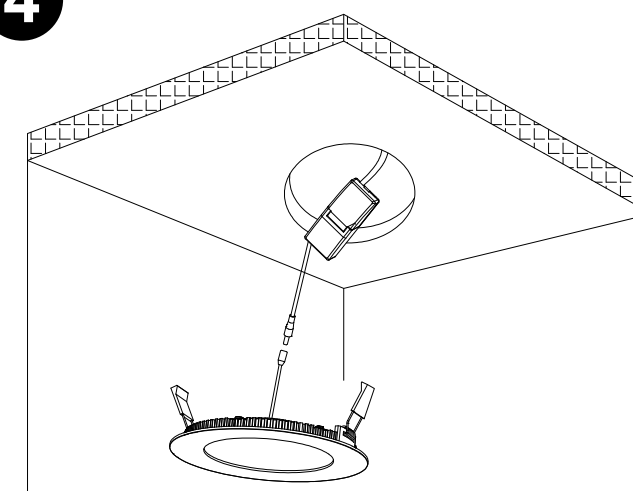
**2**



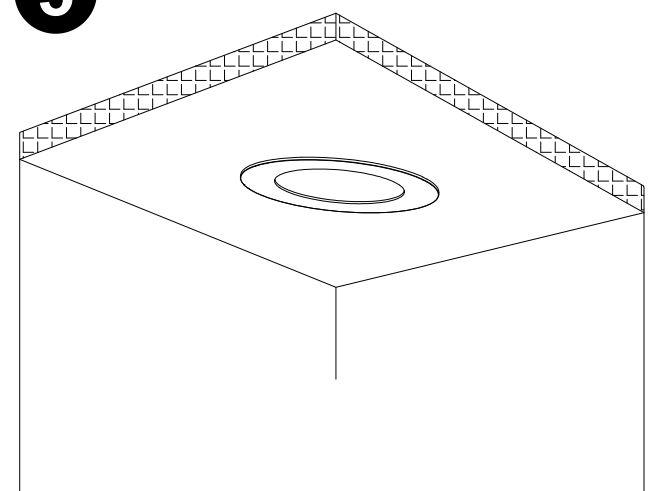
**3**




**4**



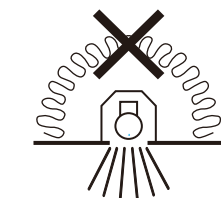
**5**



CE  **IP<sup>20</sup><sub>44</sub>**

Zumtobel Lighting GmbH  
Schweizerstrasse 30, 6850  
Dornbirn, AUSTRIA  
URL: www.thorn-eco.com

Thorn Lighting Limited  
Durhamgate, Spennymore, Co Durham, DL16 6HL, UK



Luminaires not  
suitable for covering  
with thermally  
insulating material