

MIKE LED BATTEN

EN	Installation Instructions	HR	Uputstvo za montažu	SE	Installationsanvisning
DE	Montageanleitung	NL	Montagehandleiding	RU	Инструкция по монтажу
CZ	Montážní návod	RO	Instructiuni de montaj	SRB	Instrukcija za instalaciju
DK	Monteringsvejledning	IT	Istruzioni di montaggio	SK	Montážny návod
EE	Paigaldusjuhend	LT	Montavimo Instrukcijos	SLO	Navodilo za montažo
FI	Asennusohje	LV	Instalācijas instrukcija	CN	安装说明书
FR	Notice de montage	NO	Monteringsanvisning		
HU	Szerelési útmutató	PL	Instrukcja montażu		

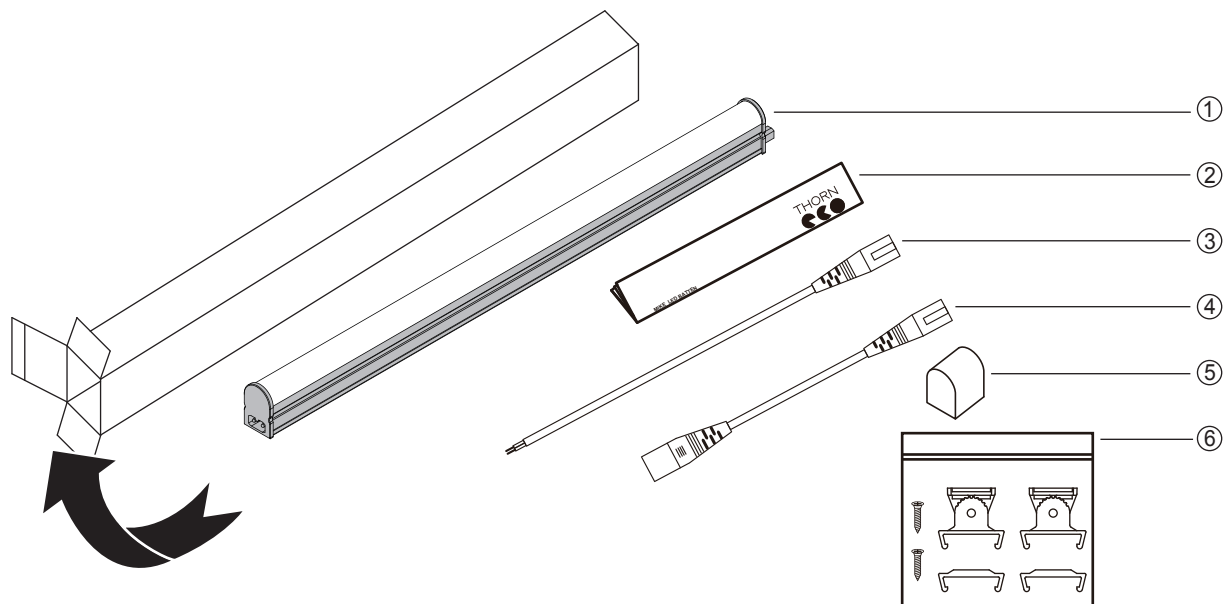


1. Installation and commissioning may only be carried out by authorized specialists and wired in accordance with the latest IEE electrical regulations or the national standards.
2. Mains power must be switched off before carrying out installation.
3. The manufacturer, shall not be liable for any damage resulting from inappropriate modifications to the luminaire or faulty installation.
4. Indoor use only.
5. Light source can't be replaced.
6. Caution, risk of electric shock.

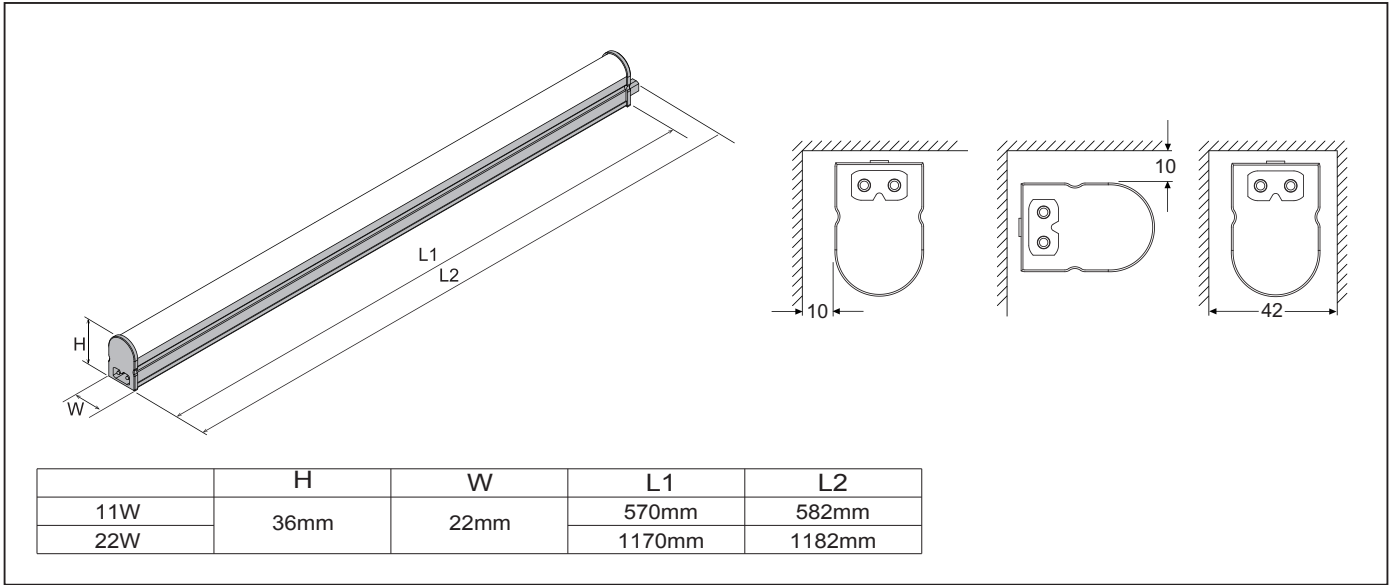
The control gear provides basic insulation between the LV supply and the control circuit.

Product Description	Wattage	SAP Code
Mike LED 1200 1800 830	22W	96644483
Mike LED 1200 1800 840	22W	96644484
Mike LED 600 900 830	11W	96644485
Mike LED 600 900 840	11W	96644486
Mike Spare Mount Kit	/	96628411

①	Mike LED Batten
②	Installation Guide
③	Power Cable 400MM
④	Connector Cable 250MM
⑤	End Cap
⑥	Mounting Clips Accessory Bag



MIKE LED BATTEN



	H	W	L1	L2
11W	36mm	22mm	570mm	582mm
22W			1170mm	1182mm

