

Alice

LED floodlight

Meet Alice

Both strong and bright, Alice is robust and reliable no matter the weather

- 4 different lumen packages from 10 W to 100 W
- Very lightweight, compact and streamline design
- Universal mounting bracket allows wall or surface mounting with the possibility of tilting upwards or downwards
- Pre-wired with mains cable



800, 2400, 4000 and 8000 lumens



Save up to 70% energy compared with halogen floodlights



Sealed to IP65 for protected exterior applications



IK08 rated impact resistance

Ideal for...



Gardens



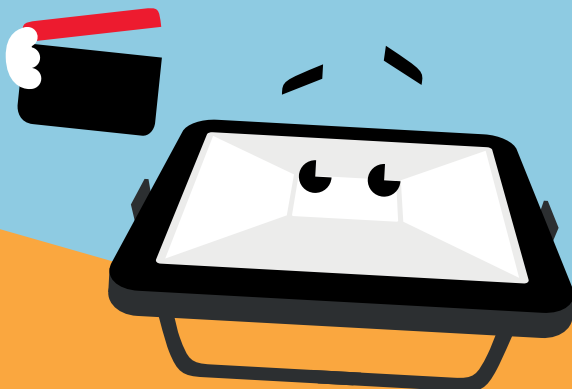
Car parks



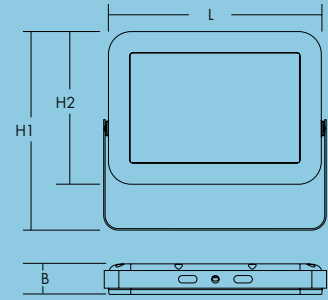
Building facades

Light source Information

- 800lm (10W), 80lm/W, 2400lm (30W), 80lm/W, 4000lm (50W), 80lm/W, 8000lm (100W), 80lm/W
- 4000K neutral white LED
- Lifetime: 35 000 hour rated life (@L70B50, Ta 25°C)
- CRI 80



	L	B	H1	H2
ALICE LED FL IP65 10W 840	130	26	126	92
ALICE LED FL IP65 30W 840	180	31	169	130
ALICE LED FL IP65 50W 840	290	41	270	208
ALICE LED FL IP65 100W 840	360	42	331	268



Performance guide

Description	Lumen output	Alternative to Halogen	Alternative to Discharge
ALICE LED 10W	800 lm	50W	
ALICE LED 30W	2400 lm	150W	
ALICE LED 50W	4000 lm	250W	70W
ALICE LED 100W	8000 lm	400W	150W

The above table is a guide for replacement of traditional floodlights, using the closest LED alternative offer.

Ordering guide

Description	Wt (Kg)	SAP Code	Cat. No.
ALICE LED FL IP65 10W 840	0.4	96666073	AC10W
ALICE LED FL IP65 30W 840	0.75	96666074	AC30W
ALICE LED FL IP65 50W 840	2.45	96666075	AC50W
ALICE LED FL IP65 100W 840	3.8	96666076	AC100W

Installation/Mounting

- Suitable for wall or ceiling mounting
- Quick and easy installation

Specification

- Class I electrical
- IP65
- IK08

Material/Finish

- Glass: Tempered glass
- Reflector: Aluminum
- Body: Aluminum die-cast
- Screws: Stainless steel

