

Julie

IP65 LED luminaire



Meet Julie

With a tough exterior, Julie is the optimal choice for industrial and commercial applications

- High quality, low energy lighting in wet and dusty environments
- High quality opal diffuser for uniform lighting
- Ideal for replacement and refurbishment projects
- CONNECT version with quick connector for easy installation available
- 1800 lm (20 W), 4000 lm (40 W), 6000 lm (60 W), up to 100 lm/W
- Colour Temperature 4000 K



IP65:
Dust tight and water resistant



Save up to 60% energy compared to T8 fluorescent



IK08 rated impact resistance



Lengths of 632 mm, 1232 mm and 1532 mm



3h emergency version available



50 000 hours lifetime

Ideal for...



Car parks



Workshops



Underpasses



Storage facilities

Installation/Mounting

Suitable for surface mounting. 4x10 mm stainless steel self-tapping screws (not included) can be applied to prevent unauthorised opening of the luminaire.

Material/Finish

Canopy: Polycarbonate

Diffuser: Opal polycarbonate

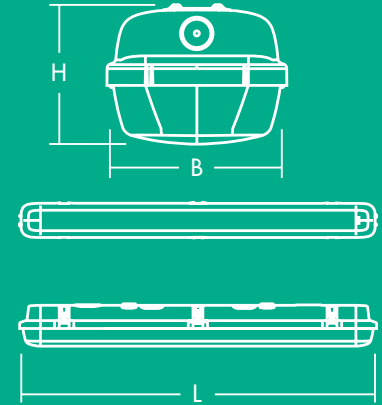
Bracket: Stainless steel

Specification

- Class I electrical
- IK08
- IP65





	L	B	H
JULIE 600 LED IP65 1800	632	103	78
JULIE 1200 LED IP65 4000	1232	103	78
JULIE 1500 LED IP65 4000	1532	85	71
JULIE 1500 LED IP65 6000	1532	103	78

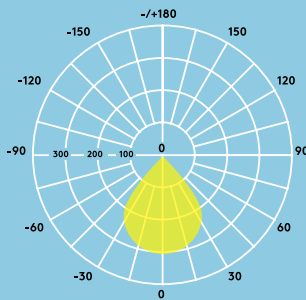


Lighting distribution

Julie LED 6000 lm

cd/klm ULOR: 8% DLOR: 92% LOR: 100%

100lm/W  



Ordering guide

Description	Wt (Kg)	SAP Code
★ JULIE 600 LED IP65 1800 840	1.20	96628548
JULIE 1200 LED IP65 4000 840	1.50	96665577
JULIE 1500 LED IP65 4000 840	1.56	96628396
JULIE 1500 LED IP65 6000 840	1.95	96665580
JULIE 1200 LED IP65 4000 840 CONNECT	1.56	96665578
JULIE 1500 LED IP65 6000 840 CONNECT	1.95	96665581
Emergency versions		
JULIE 1200 LED IP65 4000 840 E3	1.90	96665579
JULIE 1500 LED IP65 4000 840 E3	1.96	96628397
JULIE 1500 LED IP65 6000 840 E3	2.35	96665582
Spare part		
JULIE LED Spare Mount Kit		96628409
JULIE LED CONNECT Spare Mount Kit		96628410

CONNECT : with AAG STUCCHI quick connector

★ New

Light source information

- Life time 50 000 hours (@L70B50, Ta 25°C)
- 1800lm (20W), 4000lm (40W), 6000lm (60W), up to 100lm/W
- Colour temperature 4000 K
- CRI 80
- McAdams (initial): 4 step



Five year warranty