

Julie

IP65 LED luminaire



Meet Julie

With a tough exterior, Julie is the optimal choice for industrial and commercial applications

- High quality, low energy lighting in wet and dusty environments
- High quality opal diffuser for uniform lighting
- Ideal for replacement and refurbishment projects
- CONNECT version with quick connector for easy installation available
- 1800 lm (20 W), 4000 lm (40 W), 6000 lm (60 W), up to 100 lm/W
- Colour Temperature 4000 K



IP65:
Dust tight and water resistant



Save up to 60% energy compared to T8 fluorescent



IK08 rated impact resistance



632mm (2ft)
1232mm (4ft)
1532mm (5ft)



3h emergency version available



50 000 hours lifetime

Ideal for...



Car parks



Workshops



Underpasses



Storage facilities

Installation/Mounting

Suitable for surface mounting. 4x10mm stainless steel self-tapping screws (not included) can be applied to prevent unauthorised opening of the luminaire.

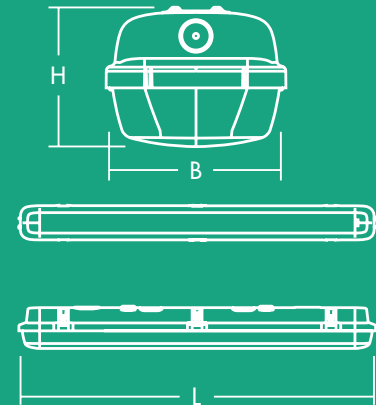
Material/Finish

Canopy: Polycarbonate
Diffuser: Opal polycarbonate
Bracket: Stainless steel

Specification

- Class I electrical
- IK08
- IP65

	L	B	H
JULIE 600 LED IP65 1800	632	103	78
JULIE 1200 LED IP65 4000	1232	103	78
JULIE 1500 LED IP65 4000	1532	85	71
JULIE 1500 LED IP65 6000	1532	103	78



Performance guide

4000 lumens – Open plan mezzanine floor

Ceiling height (m)	Luminaire Spacings (m)	Lux Level Average (E_m)	Uniformity (U_o)	UGR
2.4	3.4 x 3.4	236 lux	0.82	25
	2.3 x 3.4	342 lux	0.82	25
	2.3 x 2.3	519 lux	0.78	25
3.0	3.4 x 3.4	222 lux	0.77	25
	2.3 x 3.4	330 lux	0.75	25
	2.3 x 2.3	486 lux	0.74	25
3.5	3.4 x 3.4	208 lux	0.75	25
	2.3 x 3.4	312 lux	0.73	25
	1.8 x 2.8	518 lux	0.72	25

2000 lumens – Open plan mezzanine floor

Ceiling height (m)	Luminaire Spacings (m)	Lux Level Average (E_m)	Uniformity (U_o)	UGR
2.4	4.6 x 4.6	206 lux	0.72	25
	3.4 x 3.4	355 lux	0.84	25
	2.3 x 3.4	546 lux	0.81	25
3.0	4.6 x 4.6	197 lux	0.75	25
	3.4 x 3.4	343 lux	0.78	25
	2.3 x 3.4	512 lux	0.75	25
3.5	3.4 x 4.3	246 lux	0.74	25
	3.4 x 2.4	325 lux	0.75	25
	2.8 x 2.8	506 lux	0.73	25

Based on a 13.8 x 13.8 metre open plan mezzanine floor with 70/50/20 reflectances, a 0.80 maintenance factor and the floor as the working plane.

Light source information

- Life time 50 000 hours (@L70B50, T_a 25°C)
- 1800lm (20W), 4000lm (40W), 6000lm (60W), up to 100lm/W
- Colour temperature 4000K
- CRI 80
- McAdams (initial): 4 step



Ordering guide

Description	Wt (Kg)	SAP Code	Cat. No.
★ JULIE 600 LED IP65 1800 840	1.20	96628548	JU1800Z2F
JULIE 1200 LED IP65 4000 840	1.50	96665577	JU4000Z4F
JULIE 1500 LED IP65 4000 840	1.56	96628396	JU4000Z5F
JULIE 1500 LED IP65 6000 840	1.95	96665580	JU6000Z5F
JULIE 1200 LED IP65 4000 840 CONNECT	1.56	96665578	JU4000ZQC4K
JULIE 1500 LED IP65 6000 840 CONNECT	1.95	96665581	JU6000ZQC4K
Emergency versions			
JULIE 1200 LED IP65 4000 840 E3	1.90	96665579	JU4000ZE4F
JULIE 1500 LED IP65 4000 840 E3	1.96	96628397	JU4000ZE5F
JULIE 1500 LED IP65 6000 840 E3	2.35	96665582	JU6000ZE5F
Spare part			
JULIE LED Spare Mount Kit		96628409	JUACCKIT
JULIE LED CONNECT Spare Mount Kit		96628410	JUCONKIT
Lighting Control			
SWITHLITE SLD BATTEN PIR		96601988	
SWITHLITE CC PROGRAMMER		96240295	

CONNECT : with AAG STUCCHI quick connector

★ New