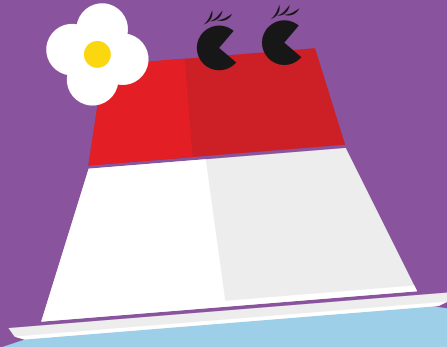


Amy

Recessed LED Downlight



Meet Amy
With a pleasing
aesthetic; Amy is the
ideal solution for a vast
range of applications

- Consistent light output with no shadowing
- Replacement for traditional 1x18 W, 1x26 W, 2x18 W or 2x26 W compact fluorescent downlights
- Choice of 3000K or 4000K to suit application use
- Thermally optimised, deep drawn, aluminium body



800–2000
lumens, up
to 95lm/W



50 000 hours
lifetime



Save up to
80% energy
compared
to compact
fluorescent
downlights



105, 150 and
200 mm
cut-outs



3hr emergency
version
available

Ideal for...



Corridors



Reception areas



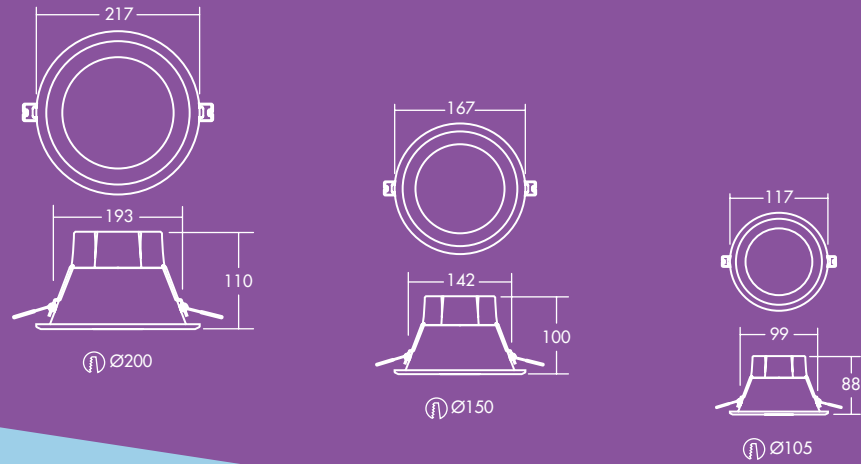
Offices and
meeting rooms



Schools and
universities

Light source information

- Lifetime 50 000 hours (@L70B50, Ta 25°C)
- 800lm (9W), 1000lm (12W), 1500lm (16W), 2000lm (21W), up to 95lm/W
- Colour temperatures: 4000K and 3000K
- CRI 80
- McAdams (initial): 4 step



Performance guide

1000 lumens – Corridor

Ceiling height (m)	Luminaire Spacings (m)	Lux Level Average (E_m)	Uniformity (U_o)	UGR
2.4	3.6 (5 tiles)	76 lux	0.69	25
	3.0 (4 tiles)	90 lux	0.59	25
	2.4 (3 tiles)	113 lux	0.73	25
2.7	3.6 (5 tiles)	70 lux	0.71	25
	3.0 (4 tiles)	82 lux	0.63	25
	2.4 (3 tiles)	104 lux	0.73	25
3.0	3.6 (5 tiles)	64 lux	0.70	25
	3.0 (4 tiles)	75 lux	0.63	25
	2.4 (3 tiles)	96 lux	0.72	25

2000 lumens – Corridor

Ceiling height (m)	Luminaire Spacings (m)	Lux Level Average (E_m)	Uniformity (U_o)	UGR
2.4	3.6 (5 tiles)	140 lux	0.69	25
	3.0 (4 tiles)	164 lux	0.60	25
	2.4 (3 tiles)	208 lux	0.73	25
2.7	3.6 (5 tiles)	129 lux	0.70	25
	3.0 (4 tiles)	151 lux	0.63	25
	2.4 (3 tiles)	191 lux	0.73	25
3.0	3.6 (5 tiles)	118 lux	0.70	25
	3.0 (4 tiles)	138 lux	0.63	25
	2.4 (3 tiles)	176 lux	0.72	25

Based on a 21 x 2 metre corridor with 70/50/20 reflectances, a 0.80 maintenance factor and the floor as the working plane

Ordering guide

Description	Wt (Kg)	SAP Code	Cat. No.
AMY 100 LED DL 800 830	0.18	96665583	AY800Z3K
AMY 100 LED DL 800 840	0.18	96665584	AY800Z4K
AMY 150 LED DL 1000 830	0.26	96628352	AY1000Z3K
AMY 150 LED DL 1000 840	0.26	96628353	AY1000Z4K
AMY 150 LED DL 1500 830	0.26	96665585	AY1500Z3K
AMY 150 LED DL 1500 840	0.26	96665586	AY1500Z4K
AMY 200 LED DL 2000 830	0.36	96665587	AY2000Z3K
AMY 200 LED DL 2000 840	0.36	96665588	AY2000Z4K

Emergency versions

AMY 150 LED DL 1000 830 E3	0.66	96665848	AY1000ZE3K
AMY 150 LED DL 1000 840 E3	0.66	96665849	AY1000ZE4K
AMY 150 LED DL 1500 830 E3	0.66	96665844	AY1500ZE3K
AMY 150 LED DL 1500 840 E3	0.66	96665845	AY1500ZE4K
AMY 200 LED DL 2000 830 E3	0.76	96665846	AY2000ZE3K
AMY 200 LED DL 2000 840 E3	0.76	96665847	AY2000ZE4K

Lighting Control

SWITCHLITE SLDM	96019208	SLMW30W
SWITCHLITE MRE SLDM ADJ	96239855	
SWITCHLITE CC PROGRAMMER	96240295	

830–3000K, 840–4000K

Installation/Mounting

Amy LED can be installed into a wide range of ceiling types of 2–20 mm thickness (AMY 150 and 200 LED DL) or 2–15 mm thickness (AMY 100 LED DL).

Material/Finish

Body: Aluminium, white finish

Diffuser: Polycarbonate

Specification

- Class I electrical
- IP20
- IK02